



US00D779572S

(12) **United States Design Patent**  
**Herrick et al.**

(10) **Patent No.:** **US D779,572 S**

(45) **Date of Patent:** **\*\* Feb. 21, 2017**

- (54) **SPUR HANDLE BURSTING HEAD**
- (71) Applicant: **RODDIE, INC.**, Columbia Falls, MT (US)
- (72) Inventors: **Rod Herrick**, Whitefish, MT (US);  
**Jared W Shappell**, Kalispell, MT (US)
- (73) Assignee: **RODDIE, Inc.**, Columbia Falls, MT (US)
- (\*\*) Term: **15 Years**
- (21) Appl. No.: **29/533,293**
- (22) Filed: **Jul. 15, 2015**
- (51) **LOC (10) Cl.** ..... **15-09**
- (52) **U.S. Cl.**  
USPC ..... **D15/138**
- (58) **Field of Classification Search**  
USPC ..... D15/28, 138, 139; 138/98, 99; 254/228;  
405/184.1, 184.3  
See application file for complete search history.

7,624,817	B2 *	12/2009	Putnam	.....	E21B 7/30	175/53
8,523,489	B1 *	9/2013	Putnam	.....	F16L 55/1658	405/184.3
9,360,148	B2 *	6/2016	Herrick	.....	F16L 55/1658	
2002/0081154	A1 *	6/2002	Herrick	.....	F16L 55/1658	405/184
2004/0218982	A1 *	11/2004	Wentworth	.....	E21B 7/30	405/184.3
2007/0048091	A1 *	3/2007	Tjader	.....	F16L 55/1658	405/184.3
2010/0178113	A1 *	7/2010	Tjader	.....	E21B 7/205	405/184.3
2011/0081205	A1 *	4/2011	Tjader	.....	F16L 55/18	405/184.3
2011/0250020	A1 *	10/2011	Carter	.....	F16L 55/1658	405/184.3
2012/0321391	A1 *	12/2012	Herrick	.....	F16L 55/1658	405/184.3

\* cited by examiner

*Primary Examiner* — Patricia Palasik

(74) *Attorney, Agent, or Firm* — Robin Kelson Consulting

(57) **CLAIM**

The ornamental design for a spur handle bursting head, as shown and described.

**DESCRIPTION**

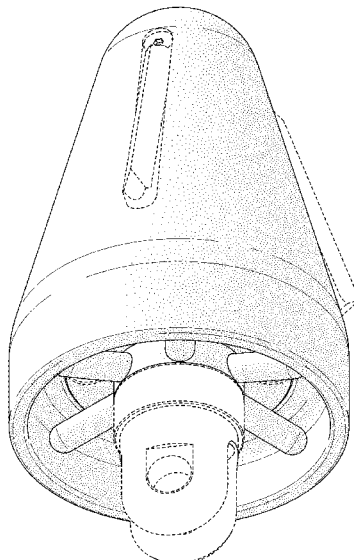
FIG. 1 is a perspective view of a bursting head with a handle in accordance with the present design;  
 FIG. 2 is a rear view thereof;  
 FIG. 3 is a front view thereof; and,  
 FIG. 4 is a side view thereof, it being understood that the opposite side not shown is a substantial mirror image thereof.  
 The broken lines of the bursting head depict unclaimed environmental subject matter.

**1 Claim, 4 Drawing Sheets**

(56) **References Cited**

U.S. PATENT DOCUMENTS

3,052,454	A *	9/1962	Sibley	.....	E21C 27/24	299/71
6,109,832	A *	8/2000	Lincoln	.....	E21B 7/30	175/53
6,269,889	B1 *	8/2001	Wentworth	.....	E21B 7/206	173/19
6,340,270	B2 *	1/2002	Puttmann	.....	138/97	
6,357,967	B1 *	3/2002	Putnam	.....	F16L 55/1658	254/29 R
6,755,593	B2 *	6/2004	Wentworth	.....	F16L 55/1658	138/97
6,854,932	B2 *	2/2005	Putnam	.....	F16L 55/1658	254/107
6,913,091	B2 *	7/2005	Wentworth	.....	E21B 4/14	173/128



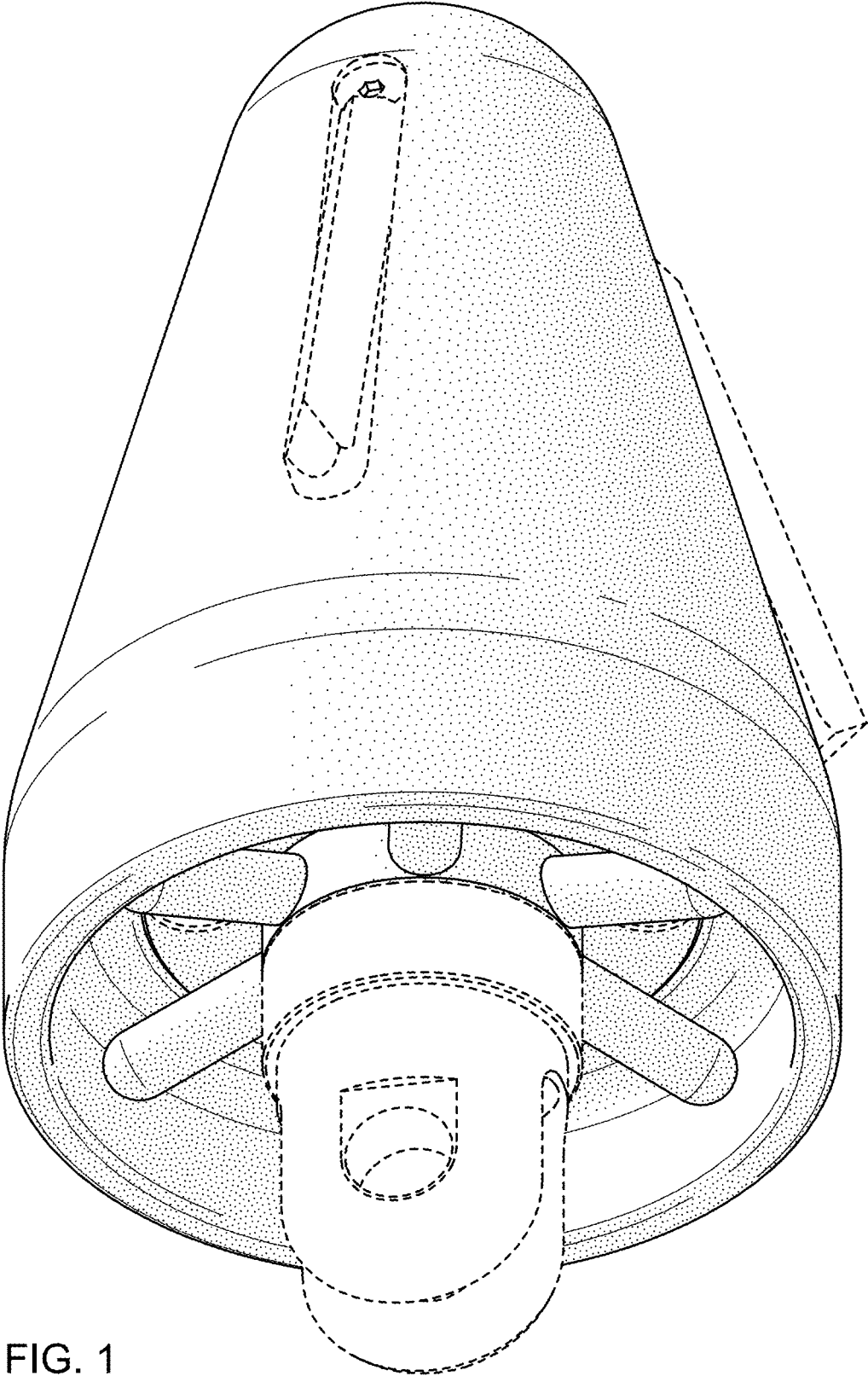


FIG. 1

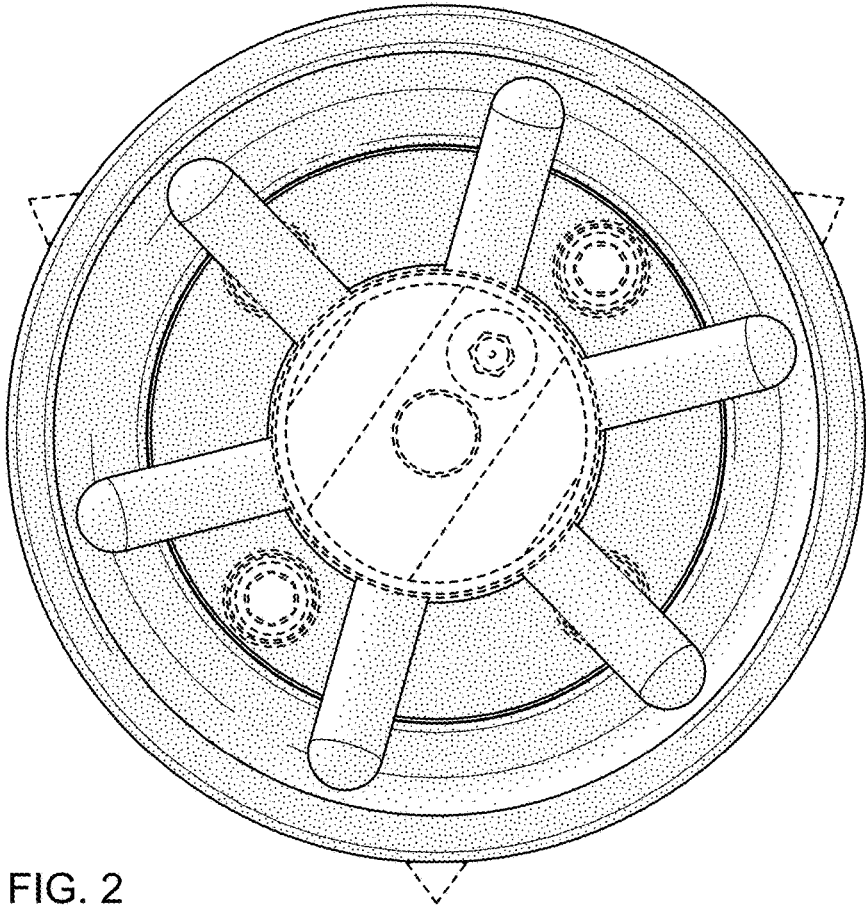
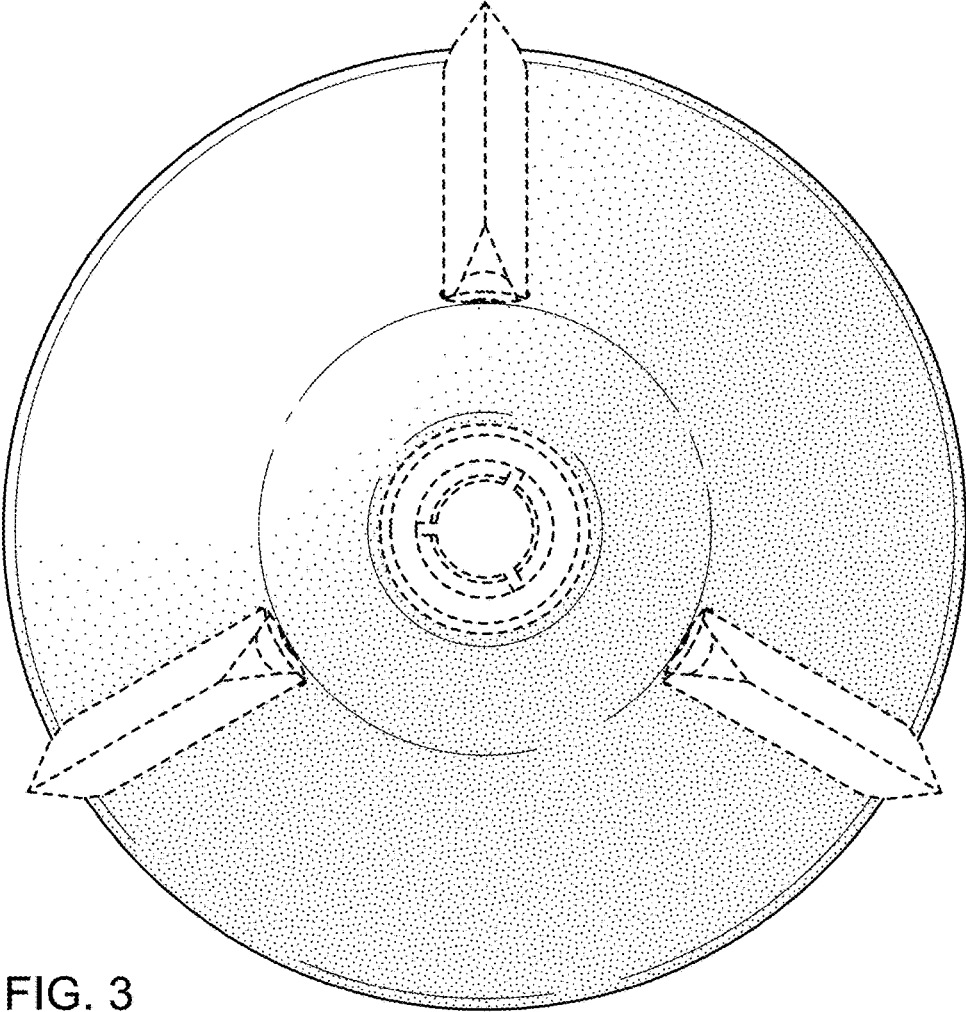


FIG. 2



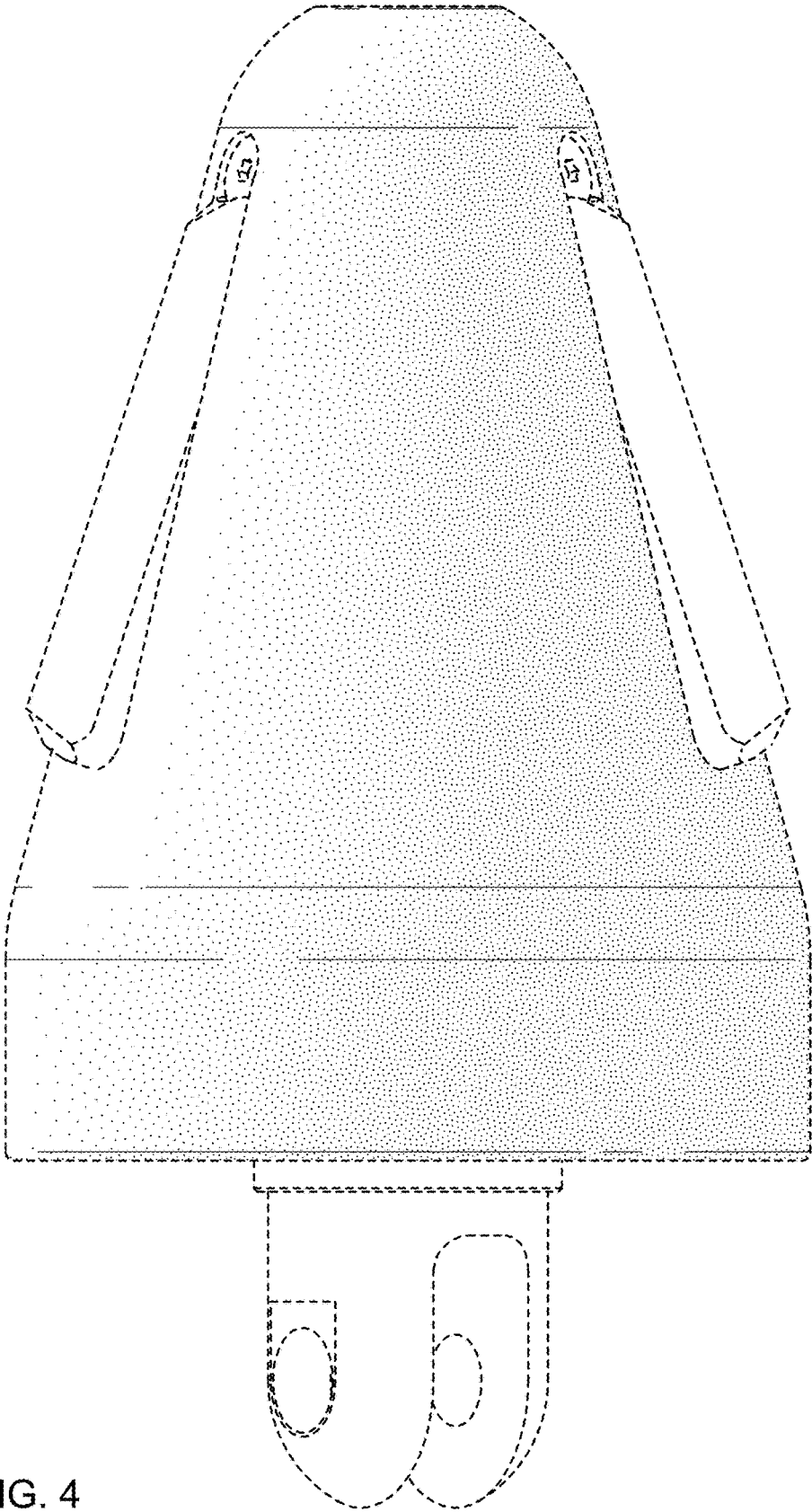


FIG. 4