



US00D785969S

(12) **United States Design Patent**  
**Burrow**

(10) **Patent No.:** **US D785,969 S**

(45) **Date of Patent:** **\*\* May 9, 2017**

- (54) **SELF DRAINING SOAP DISH**
- (71) Applicant: **Peter Noel Burrow**, Guilford, CT (US)
- (72) Inventor: **Peter Noel Burrow**, Guilford, CT (US)
- (\*\*) Term: **15 Years**
- (21) Appl. No.: **29/555,143**

D376,285 S	12/1996	Grippe .....	D6/536
D385,137 S	10/1997	von Seidel .....	D6/536
D413,219 S *	8/1999	Glenton Kerr .....	D6/536
D450,965 S	11/2001	Weinberg .....	D6/536
D485,105 S	1/2004	Loor .....	D6/536
D615,789 S	5/2010	Scott .....	D6/536
D666,041 S *	8/2012	Hwang .....	D6/536
D704,953 S	5/2014	Reitze .....	D6/536
D713,652 S *	9/2014	Barclay .....	D6/536
2011/0297562 A1 *	12/2011	Robbins .....	A47K 5/03 206/216

- (22) Filed: **Feb. 18, 2016**
- (51) **LOC (10) Cl.** ..... **23-02**
- (52) **U.S. Cl.**  
USPC ..... **D6/536**
- (58) **Field of Classification Search**  
USPC ..... D6/536, 532, 538, 539, 540; D7/502,  
D7/550.1, 554.2; D9/682, 690, 692  
CPC .. A47K 5/04; A47K 5/02; G09F 23/00; A45D  
27/16; E03C 1/24  
See application file for complete search history.

\* cited by examiner

*Primary Examiner* — Wan Laymon  
*Assistant Examiner* — Mark Booker

(57) **CLAIM**

The ornamental design for a self draining soap dish, as shown and described.

**DESCRIPTION**

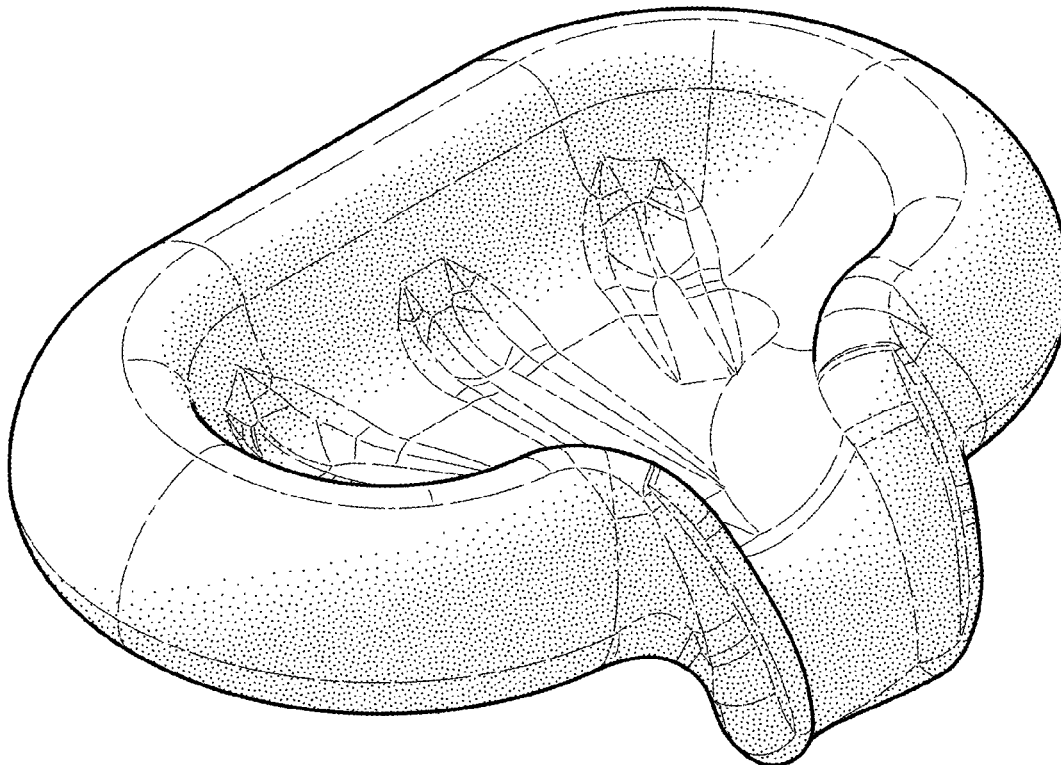
FIG. 1 is a perspective view of a self draining soap dish showing my new design;  
FIG. 2 is a front elevational view thereof;  
FIG. 3 is a rear elevational view thereof;  
FIG. 4 is a top plan view thereof;  
FIG. 5 is a bottom plan view thereof; and,  
FIG. 6 is a right side elevational view thereof; the left side elevational view is a mirror image thereof.

(56) **References Cited**

**U.S. PATENT DOCUMENTS**

1,309,965 A	7/1919	Schwab .....	4/628
1,536,906 A	5/1925	Miller .....	211/88.01
D130,579 S	12/1941	Dreyfuss .....	D6/536
2,505,387 A	4/1950	Dantzler .....	248/176.1
4,993,546 A	2/1991	Southard .....	206/77.1
D367,986 S *	3/1996	Haley .....	D6/536

**1 Claim, 3 Drawing Sheets**



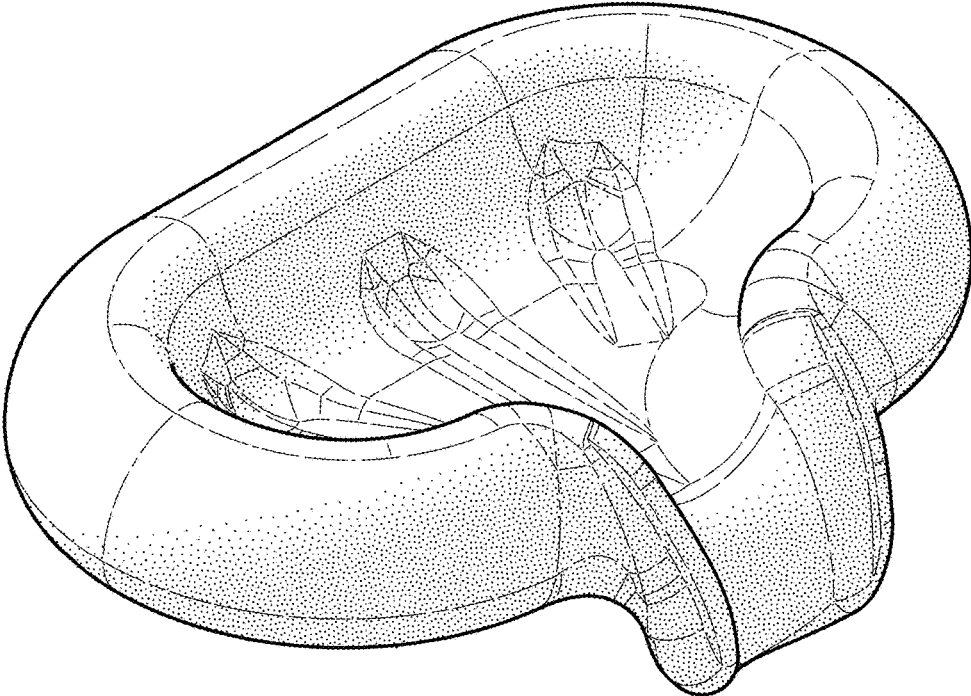


FIG. 1

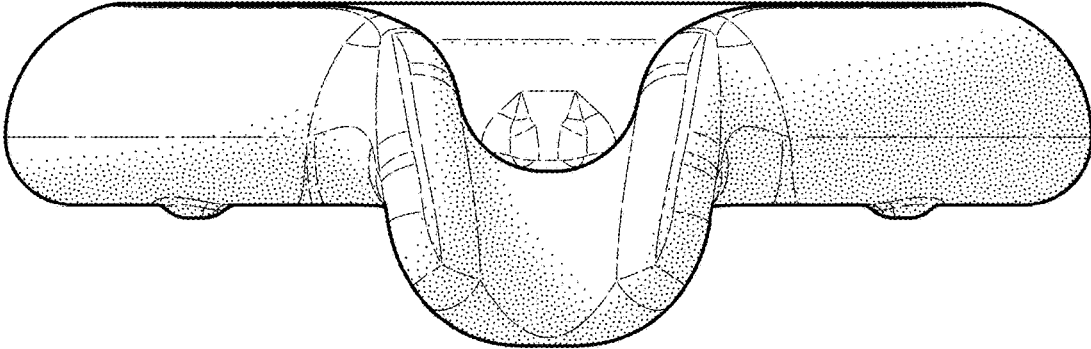


FIG. 2

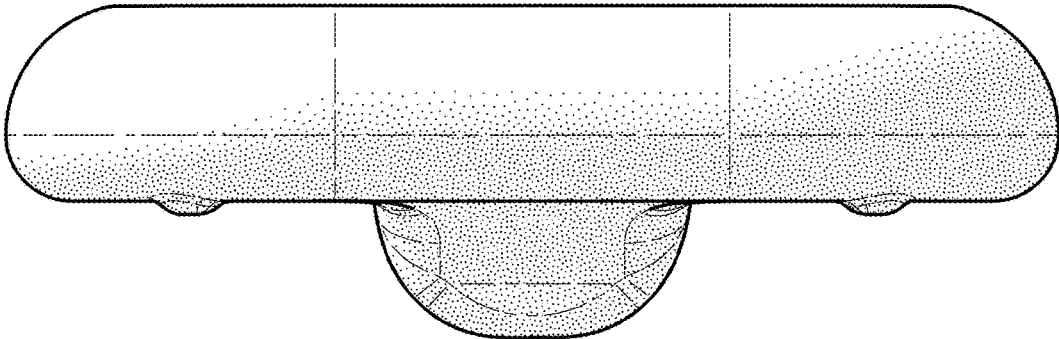


FIG. 3

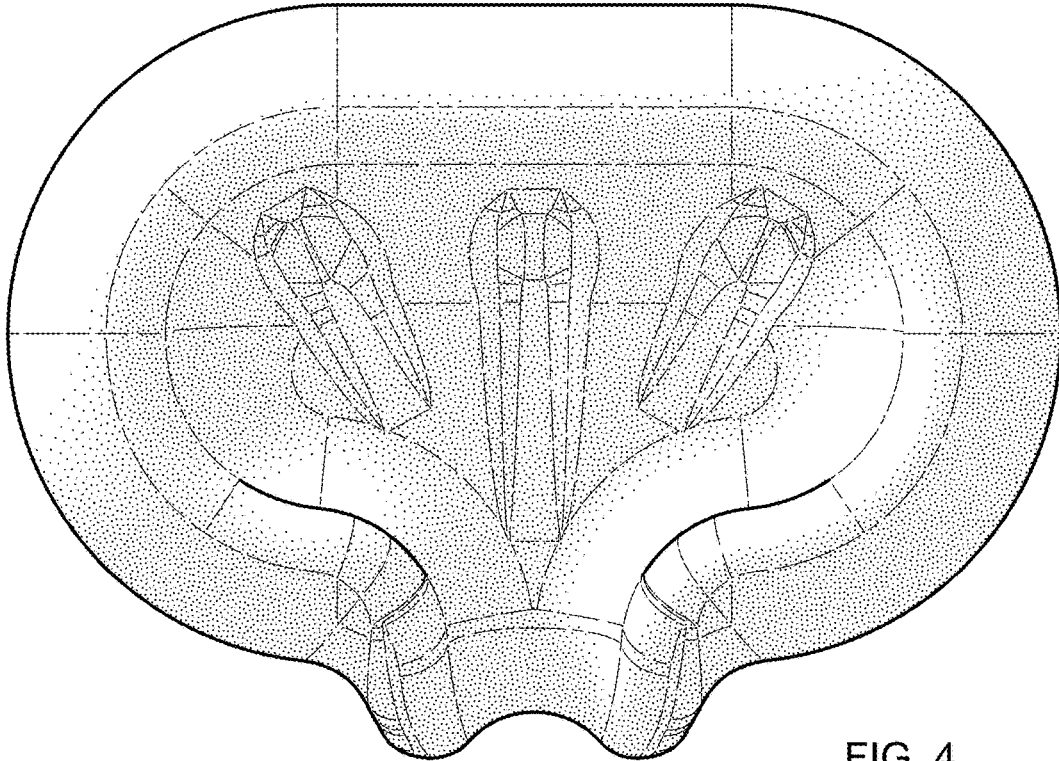


FIG. 4

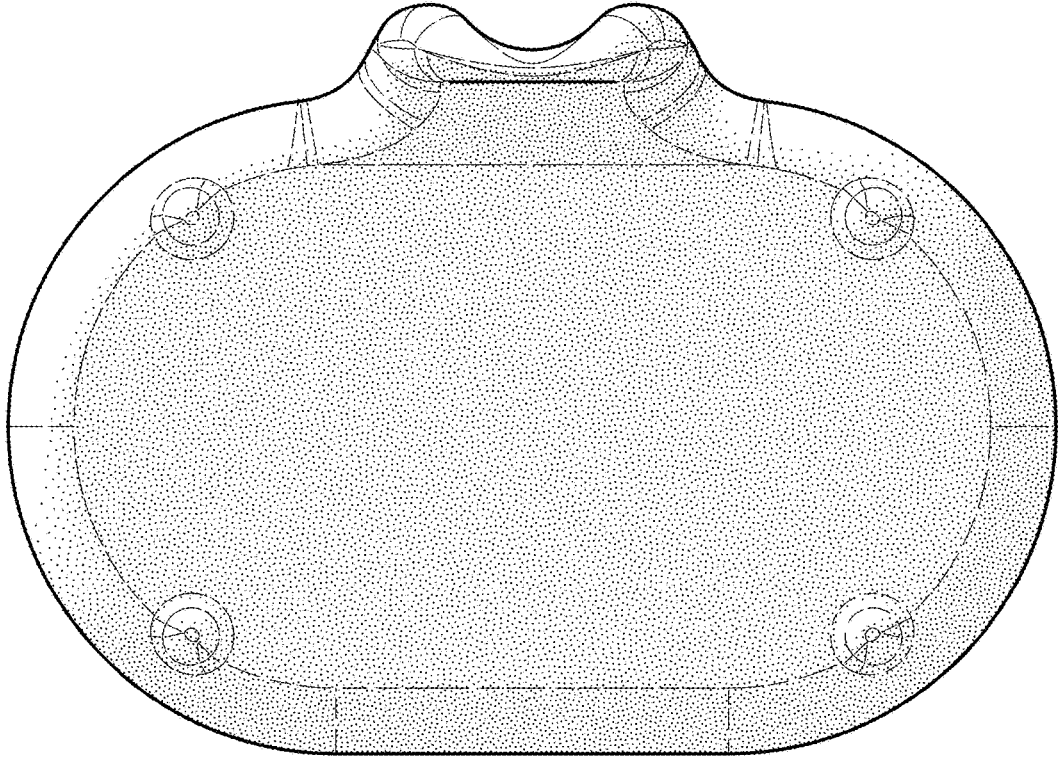


FIG. 5

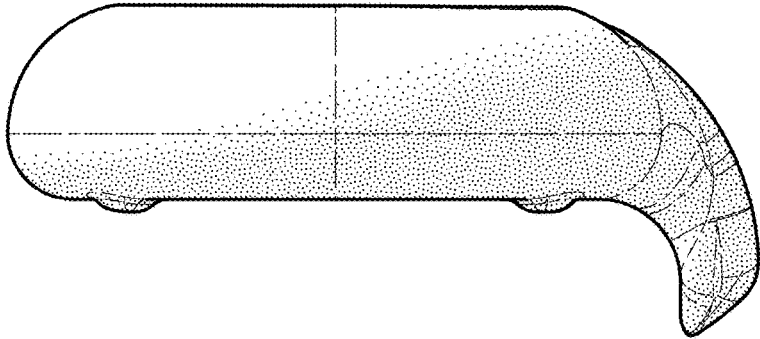


FIG. 6