



US00D789183S

(12) **United States Design Patent**
Herrick

(10) **Patent No.:** **US D789,183 S**

(45) **Date of Patent:** **** Jun. 13, 2017**

(54) **CABLE BUTTON**

(71) Applicant: **RODDIE, INC.**, Columbia Falls, MT (US)

(72) Inventor: **Rod Herrick**, Whitefish, MT (US)

(73) Assignee: **RODDIE, Inc.**, Columbia Falls, MT (US)

(**) Term: **15 Years**

(21) Appl. No.: **29/535,368**

(22) Filed: **Aug. 5, 2015**

(51) **LOC (10) Cl.** **08-05**

(52) **U.S. Cl.**
USPC **D8/356**

(58) **Field of Classification Search**

USPC D24/128, 127, 108, 107; 604/180;
D8/356, 354, 349; D13/155; D25/33;
248/74.3
CPC .. A61M 29/00; A61M 25/02; A61M 25/0133;
A61M 2025/024; A61M 2025/0266;
A61M 5/00; A61M 2039/087; F16G 1/00;
F16G 11/00; H02G 3/00; H02G 3/03;
H02G 3/04; H02G 3/0437; H02G 3/0608;
A43C 3/00; B63B 21/04; F16L 3/1058
See application file for complete search history.

(56) **References Cited**

U.S. PATENT DOCUMENTS

D329,013 S * 9/1992 Stoner, Jr. D8/395
D383,053 S * 9/1997 Schrader D23/262
D383,378 S * 9/1997 Schrader D23/262
6,231,063 B1 * 5/2001 Chi B62K 21/06
280/276

D480,953 S * 10/2003 Lee D8/399
D549,091 S * 8/2007 McIntyre D8/399
D590,902 S * 4/2009 De La Cruz D21/753
D648,836 S * 11/2011 Drenth D23/269
D664,839 S * 8/2012 Bonhag D8/396
D665,471 S * 8/2012 Fossum D21/753
D670,776 S * 11/2012 Fossum D21/753
2003/0186759 A1* 10/2003 Buchanan A63B 60/24
473/297

* cited by examiner

Primary Examiner — Cynthia Underwood

(74) *Attorney, Agent, or Firm* — Robin Kelson Consulting

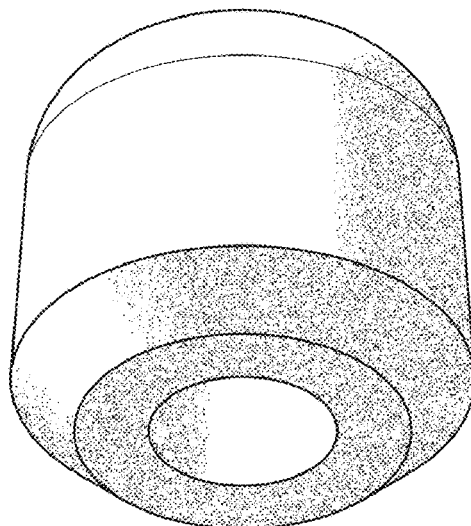
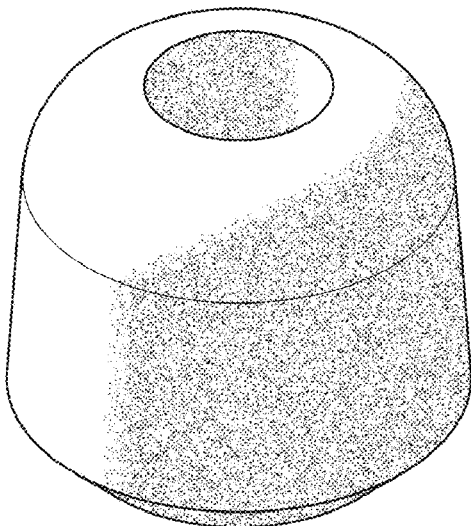
(57) **CLAIM**

I claim the ornamental design for the cable button, as shown and described.

DESCRIPTION

FIG. 1 is a top view of a cable button in accordance with the present design;
FIG. 2 is a bottom view thereof;
FIG. 3 is a side view thereof;
FIG. 4 is a top perspective view thereof;
FIG. 5 is a bottom perspective view thereof;
FIG. 6 is a top view of a cable button in accordance with another embodiment of the present design;
FIG. 7 is a bottom view thereof;
FIG. 8 is side view thereof;
FIG. 9 is a top perspective view thereof;
FIG. 10 is a bottom perspective view thereof;
FIG. 11 is a top view of a cable button in accordance with another embodiment of the present design;
FIG. 12 is a bottom view thereof;
FIG. 13 is side view thereof;
FIG. 14 is a top perspective view thereof; and,
FIG. 15 is a bottom perspective view thereof;

1 Claim, 3 Drawing Sheets



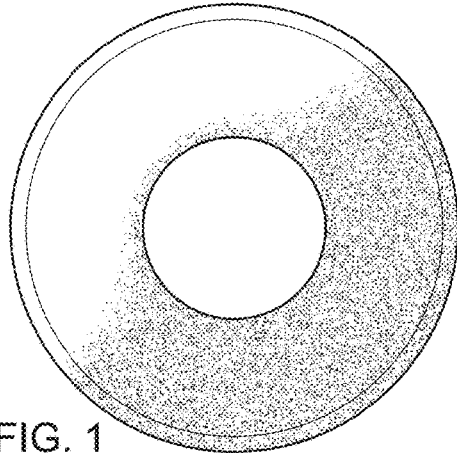


FIG. 1

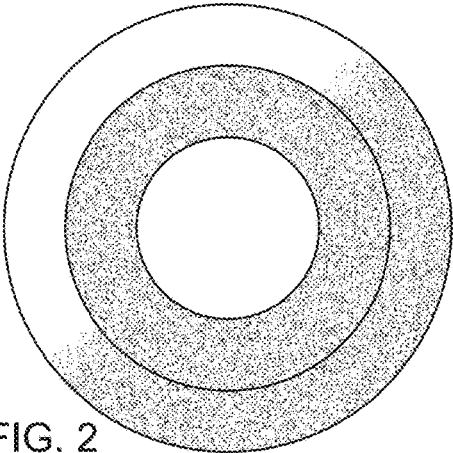


FIG. 2

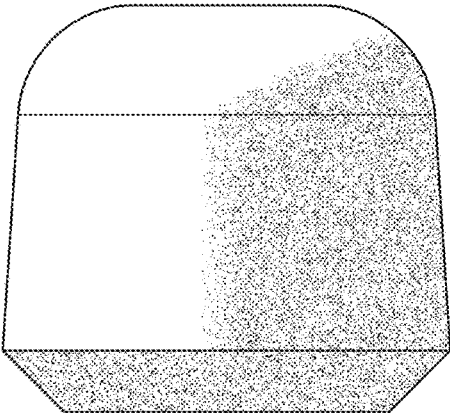


FIG. 3

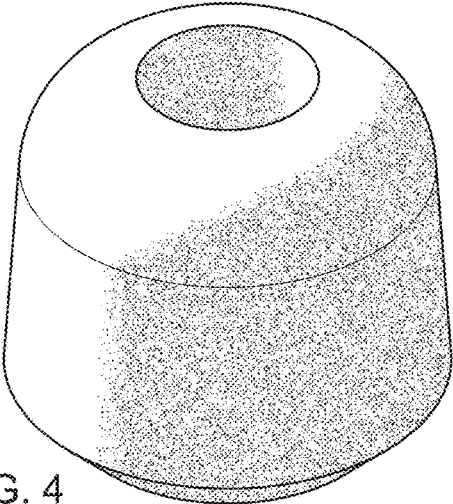


FIG. 4

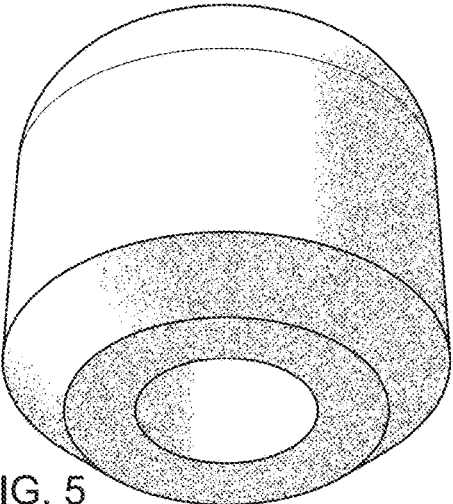


FIG. 5

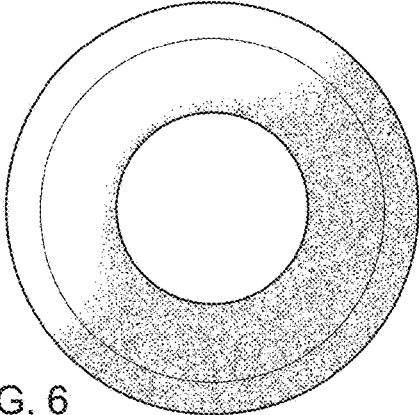


FIG. 6

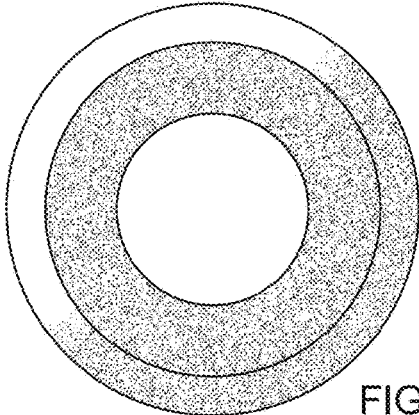


FIG. 7

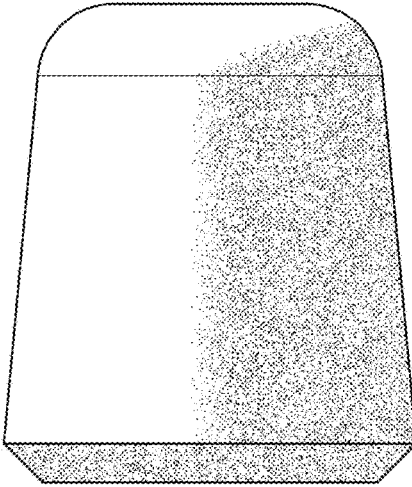


FIG. 8

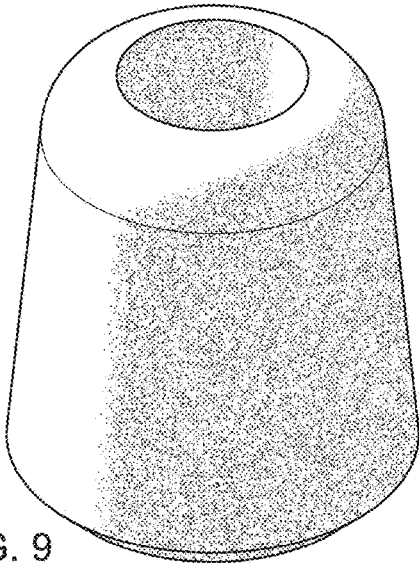


FIG. 9

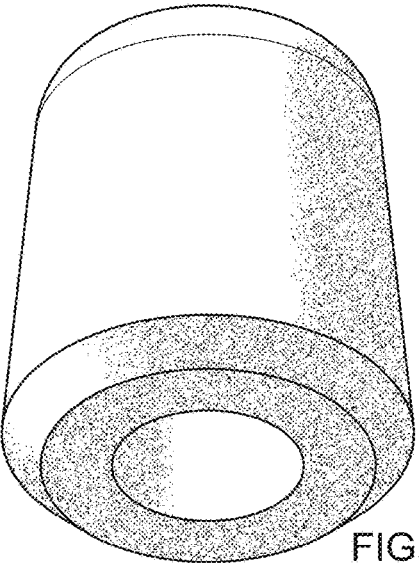


FIG. 10

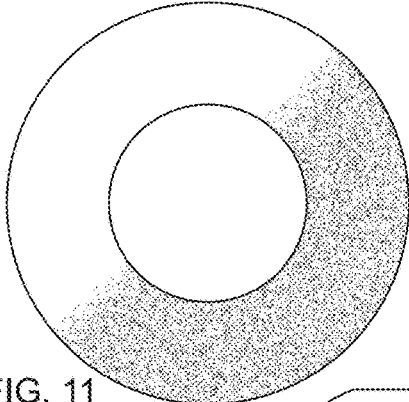


FIG. 11

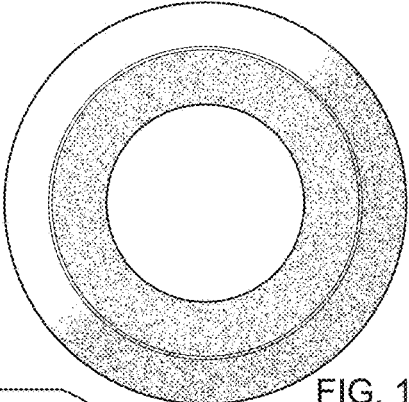


FIG. 12

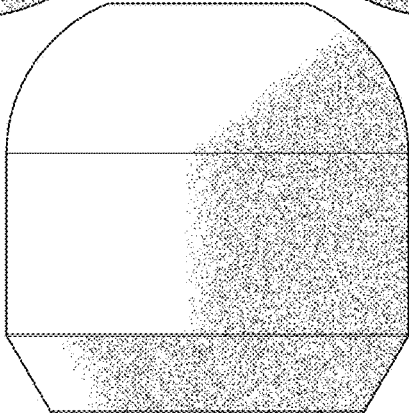


FIG. 13

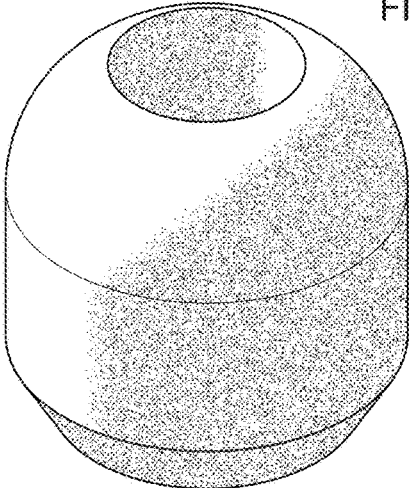


FIG. 14

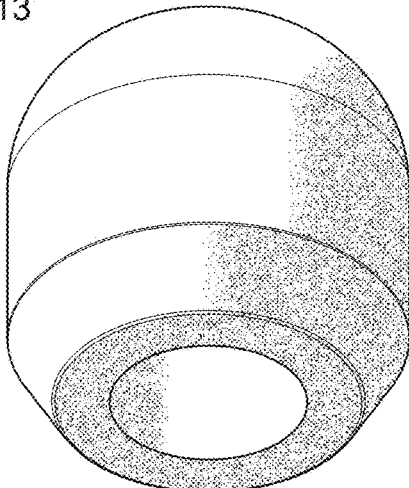


FIG. 15