



US00D798919S

(12) **United States Design Patent**  
**Herrick et al.**

(10) **Patent No.:** **US D798,919 S**

(45) **Date of Patent:** **\*\* Oct. 3, 2017**

- (54) **PIPE SPLITTING TOOL AND BASE**
- (71) Applicant: **RODDIE, INC.**, Columbia Falls, MT (US)
- (72) Inventors: **Rod Herrick**, Whitefish, MT (US);  
**Jared W Shappell**, Kalispell, MT (US)
- (73) Assignee: **RODDIE, INC.**, Columbia Falls, MT (US)

D415,937 S *	11/1999	Robinson .....	D7/673
D505,056 S *	5/2005	Tarpill .....	D8/51
7,086,155 B2 *	8/2006	Chan .....	A47J 9/005
			30/114
D663,004 S *	7/2012	Isringhausen .....	D22/107
8,292,545 B2 *	10/2012	Tjader .....	F16L 55/1658
			30/92.5
8,523,489 B1 *	9/2013	Putnam .....	F16L 55/1658
			405/184.3

- (\*\*) Term: **15 Years**
- (21) Appl. No.: **29/535,364**

\* cited by examiner

*Primary Examiner* — Phillip S Hyder

(74) *Attorney, Agent, or Firm* — Robin Kelson Consulting

- (22) Filed: **Aug. 5, 2015**
- (51) **LOC (10) Cl.** ..... **15-09**
- (52) **U.S. Cl.**  
USPC ..... **D15/139**
- (58) **Field of Classification Search**  
USPC ..... D8/14, 98; D7/673, 665; D15/139  
CPC ..... H02G 1/1217; F16L 55/1658; F16L 1/06;  
F16L 55/165; F16L 55/162; F16L 55/18;  
E21B 7/30  
See application file for complete search history.

(57) **CLAIM**

We claim the ornamental design for the pipe splitting tool and base, as shown and described.

**DESCRIPTION**

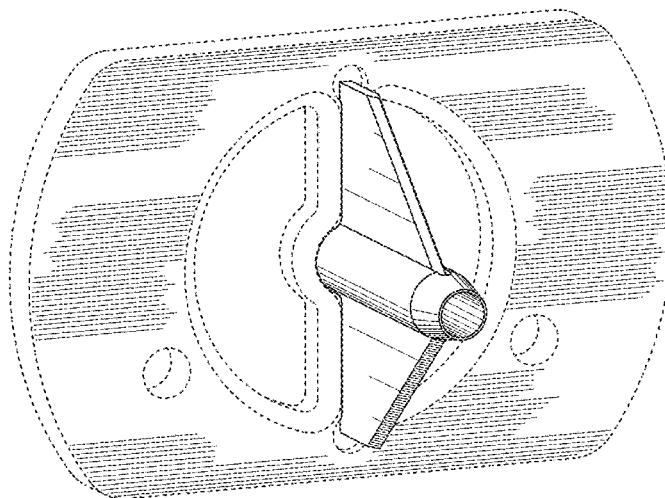
FIG. 1 is a front perspective view of a pipe splitting tool and base, in accordance with the present design;  
 FIG. 2 is a front perspective view of the pipe splitting tool and base of FIG. 1, wherein the tool is disengaged from its base;  
 FIG. 3 is a front view of the pipe splitting tool and base depicted in FIG. 1;  
 FIG. 4 is a rear view of the pipe splitting tool and base depicted in FIG. 1;  
 FIG. 5 is a side view of the pipe splitting tool and base depicted in FIG. 1, it being understood that the opposite side not shown is a substantial mirror image thereof; and,  
 FIG. 6 is a top view of the pipe splitting tool and base depicted in FIG. 1, it being understood that the bottom view not shown is a substantial mirror image thereof.  
 The broken lines show portions of the pipe splitting tool and base which form no part of the claimed design. The line shading merely represents surface shading and is not intended to depict a particular color, texture or tone.

(56) **References Cited**

**U.S. PATENT DOCUMENTS**

2,912,757 A *	11/1959	Knight .....	A47J 17/00
			30/303
3,043,004 A *	7/1962	Walter .....	B23D 21/02
			30/92.5
3,180,383 A *	4/1965	Nudell .....	A47J 17/00
			294/61
4,732,222 A *	3/1988	Schmidt .....	E21B 4/06
			175/22
4,959,903 A *	10/1990	Daoust .....	A47J 17/04
			30/114
5,173,009 A *	12/1992	Moriarty .....	F16L 55/1658
			138/97
5,876,152 A *	3/1999	Hesse .....	E21B 7/30
			175/22

**1 Claim, 3 Drawing Sheets**



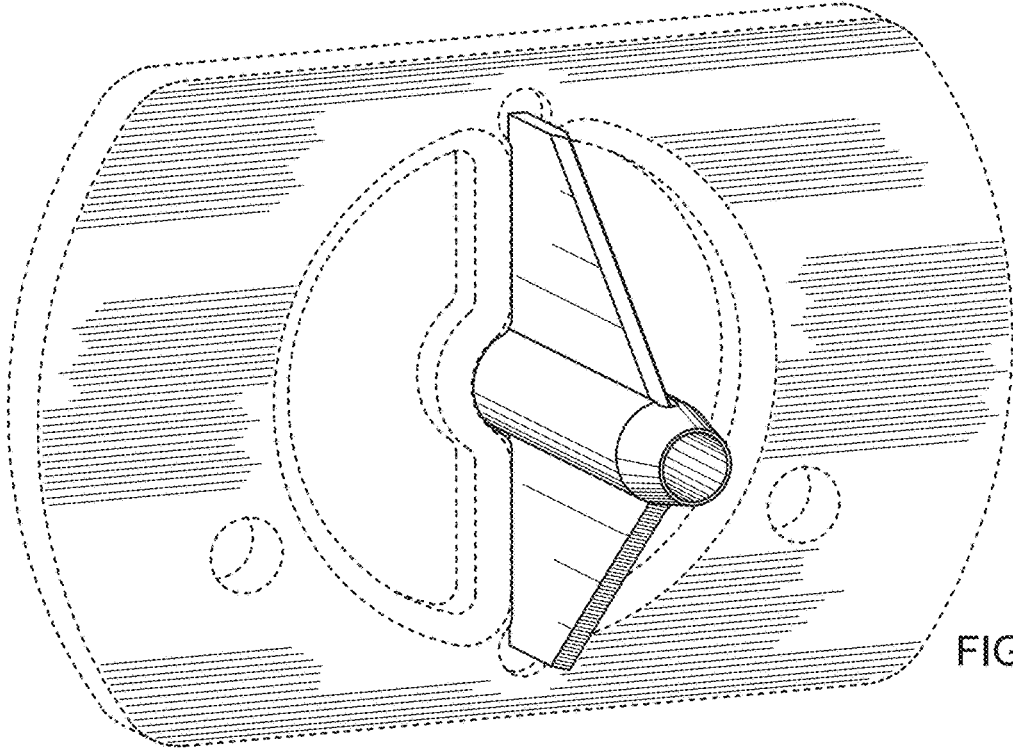


FIG. 1

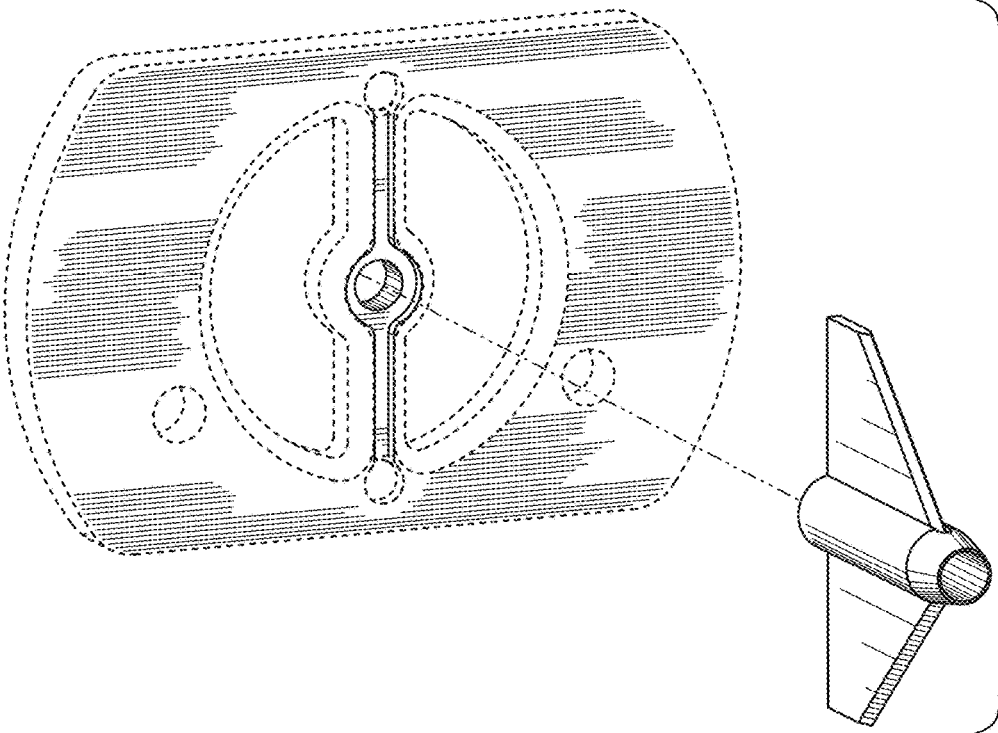


FIG. 2

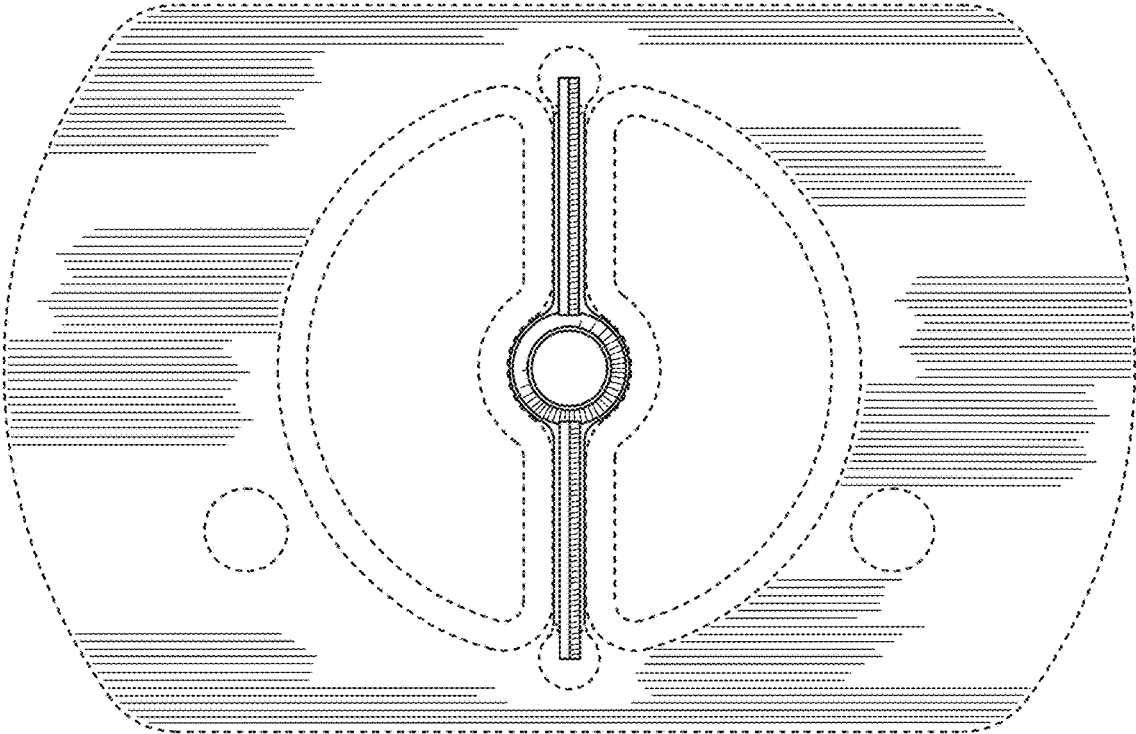


FIG. 3

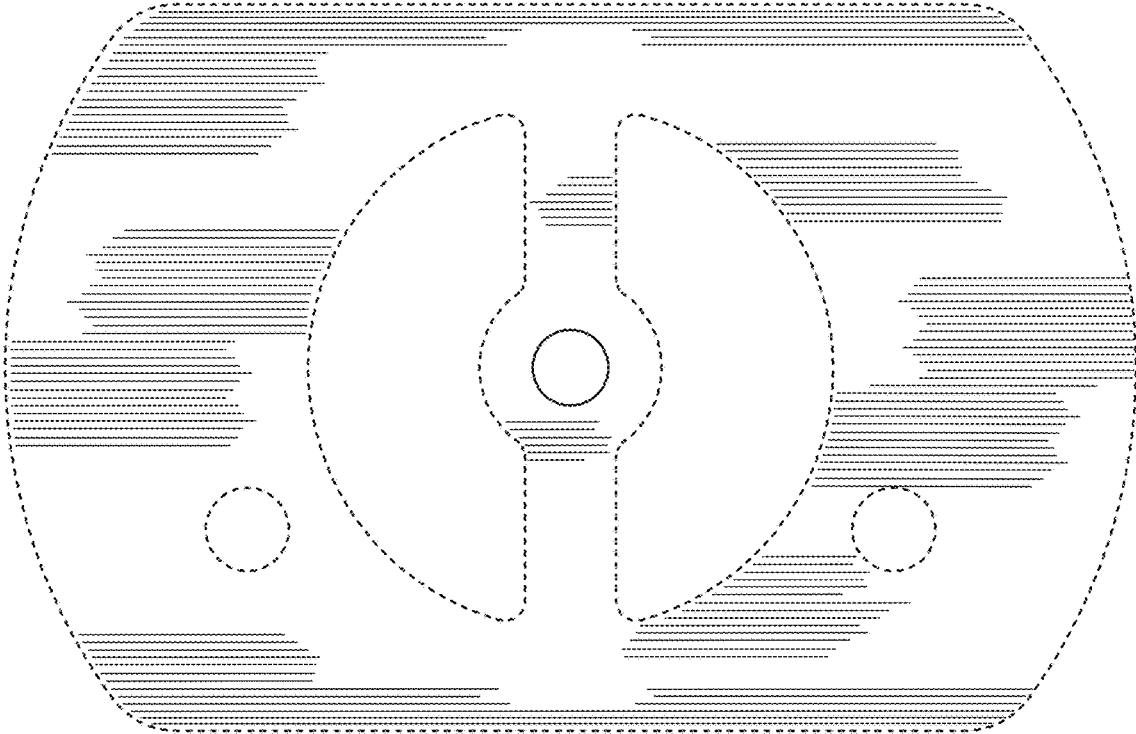


FIG. 4

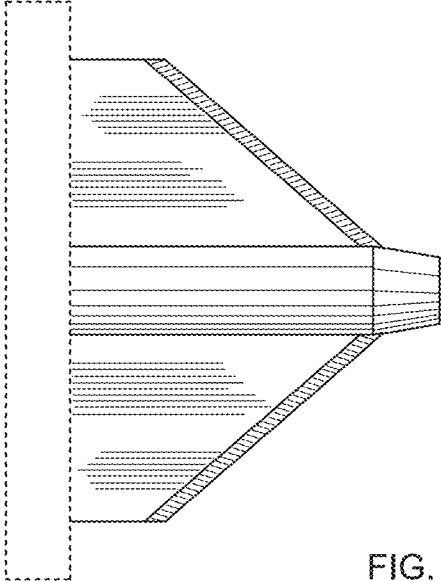


FIG. 5

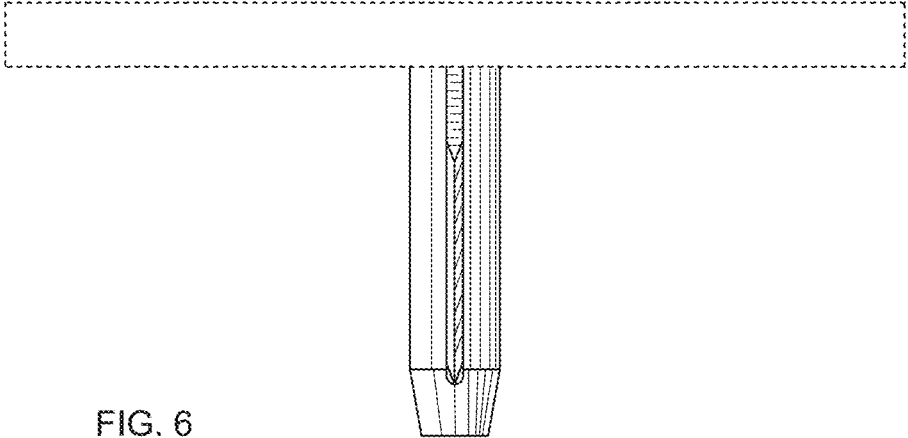


FIG. 6