



(12) **United States Design Patent**
Herrick

(10) **Patent No.:** **US D799,920 S**
(45) **Date of Patent:** **** Oct. 17, 2017**

- (54) **BREAKOUT WRENCH**
- (71) Applicant: **RODDIE, INC.**, Columbia Falls, MT (US)
- (72) Inventor: **Rod Herrick**, Whitefish, MT (US)
- (73) Assignee: **Roddie, Inc.**, Columbia Falls, MT (US)
- (**) Term: **15 Years**
- (21) Appl. No.: **29/554,257**
- (22) Filed: **Feb. 10, 2016**
- (51) **LOC (10) Cl.** **08-05**
- (52) **U.S. Cl.**
USPC **D8/21; D23/259**
- (58) **Field of Classification Search**
USPC D23/233-250; 137/625, 861, 15.8, 597, 137/884, 1.21, 561 A, 885, 595, 596.12, 137/605, 606, 637, 862; 123/184.56, 123/184.53, 184.61, 337, 90.13, 184.21, 123/184.47, 184.52; 74/519, 488, 491, 74/40, 45, 469; D8/21
CPC F16K 27/0236; F16K 27/12; F16K 1/306
See application file for complete search history.

7,779,922 B1 *	8/2010	Harris	E21B 17/046
				166/379
8,074,537 B2 *	12/2011	Hunter	E21B 19/168
				81/57.16
8,627,748 B2 *	1/2014	Gouws	E21B 19/163
				81/57.16
D732,370 S *	6/2015	Pittman	D8/330
D740,920 S *	10/2015	Nakamura	D23/259
9,205,539 B2 *	12/2015	Kundracik	B25B 13/505
9,359,839 B2 *	6/2016	Bertelsen	E21B 4/006
9,434,055 B2 *	9/2016	Tunningley	E21B 19/161
9,506,586 B2 *	11/2016	Van Heerden	F16L 1/20

* cited by examiner

Primary Examiner — Randall Gholson
(74) *Attorney, Agent, or Firm* — Robin Kelson Consulting

(57) **CLAIM**

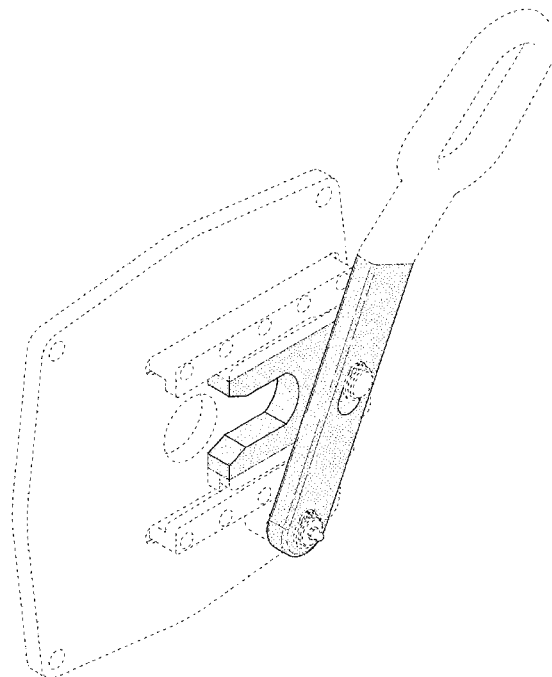
The ornamental design for a breakout wrench, as shown and described.

DESCRIPTION

FIG. 1 is a front view of a breakout wrench in accordance with the present design;
 FIG. 2 is a back view thereof;
 FIG. 3 is a left side view thereof;
 FIG. 4 is a right side view thereof;
 FIG. 5 is a top view thereof;
 FIG. 6 is a bottom view thereof;
 FIG. 7 is a front perspective view thereof, in a first, disengaged position; and,
 FIG. 8 is a front perspective view thereof, in a second, engaged position.
 The broken lines shown in the drawings show unclaimed subject matter only and form no part of the claimed design.

1 Claim, 6 Drawing Sheets

- (56) **References Cited**
U.S. PATENT DOCUMENTS
D364,082 S * 11/1995 Weinerman D8/331
5,537,900 A * 7/1996 Schaar E21B 19/163
81/57.19
7,320,165 B1 * 1/2008 Hard B25B 27/16
29/237
7,707,914 B2 * 5/2010 Pietras E21B 19/163
81/57.16



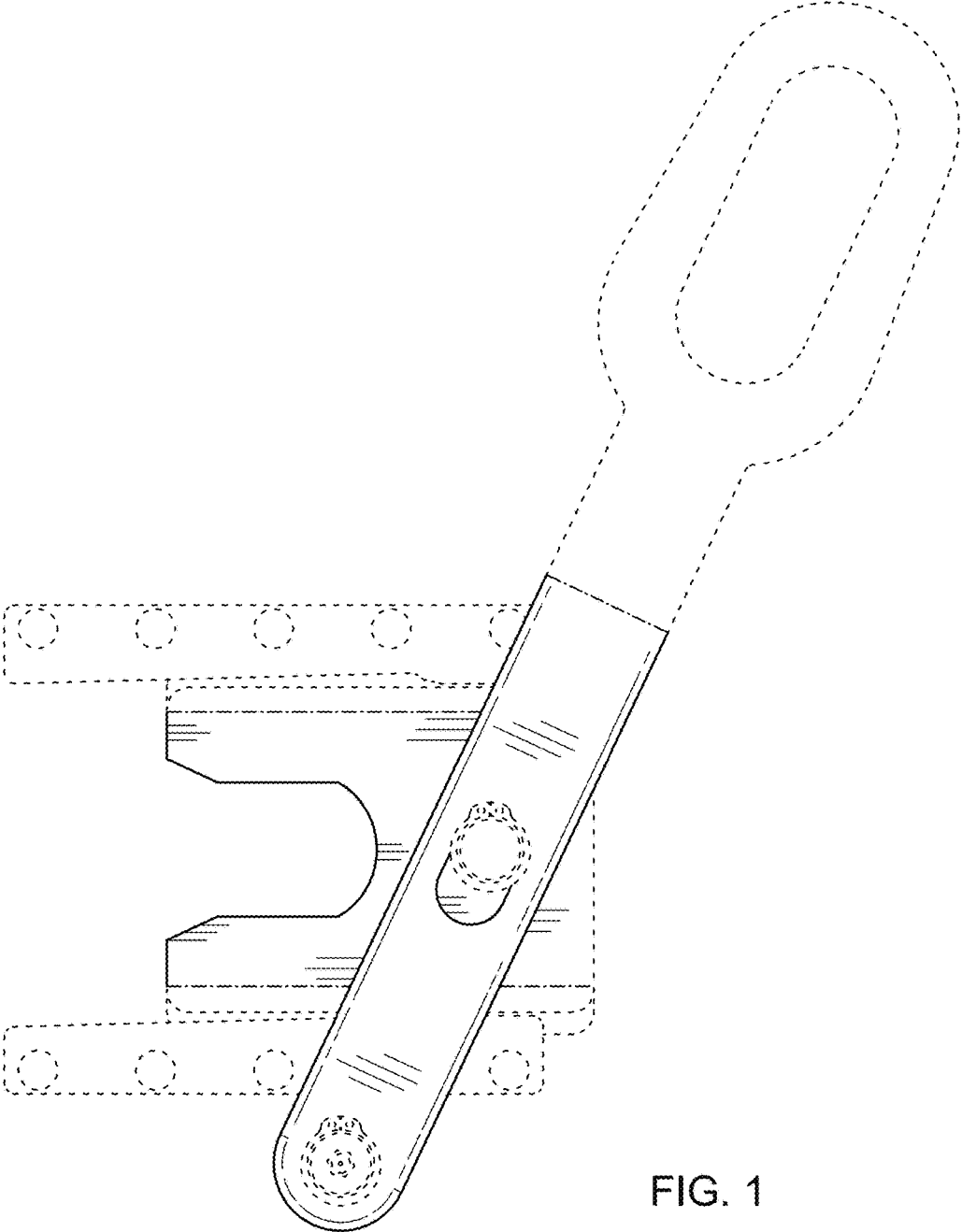


FIG. 1

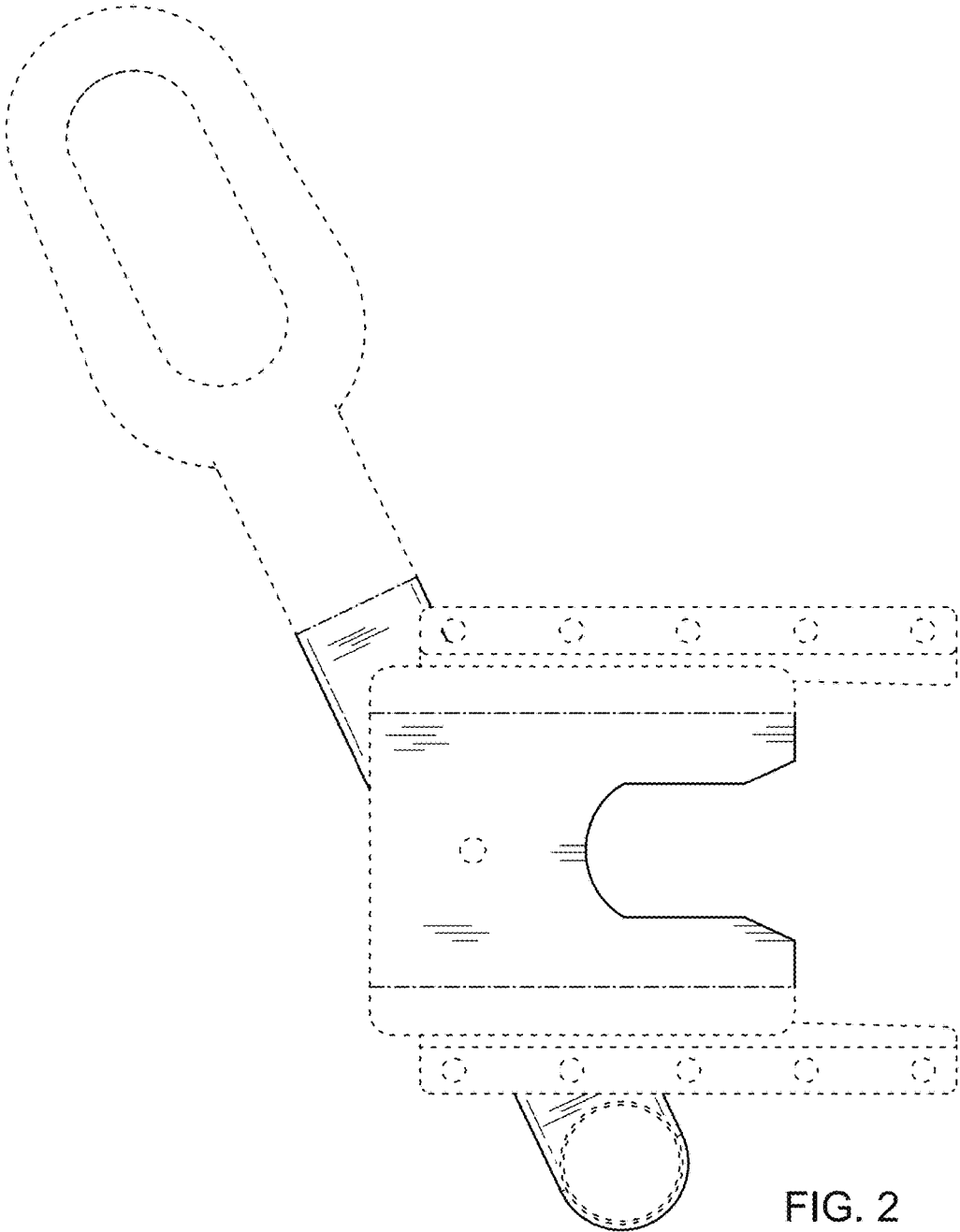


FIG. 2

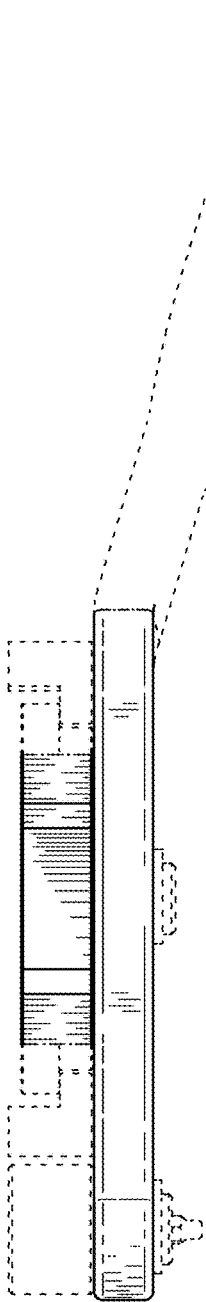


FIG. 3

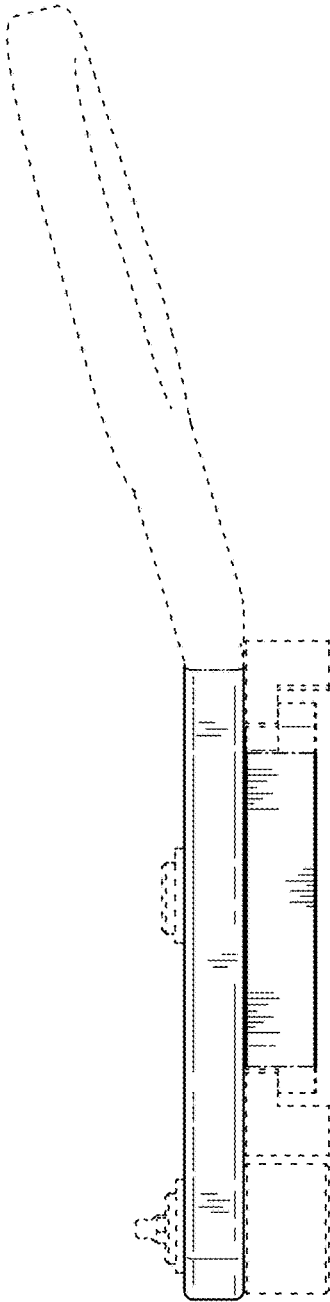


FIG. 4

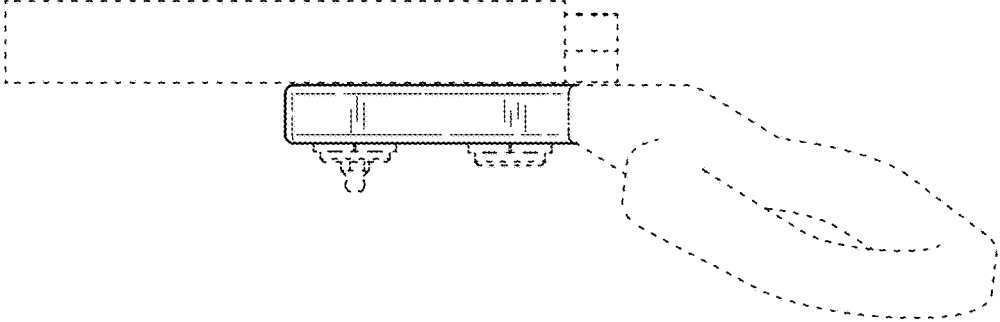


FIG. 5

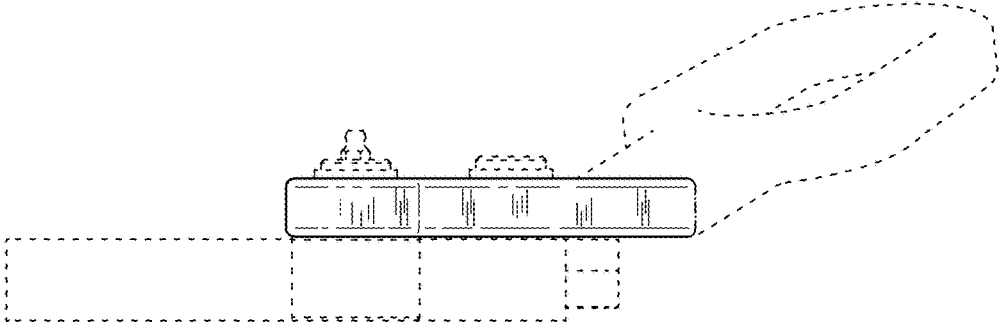


FIG. 6

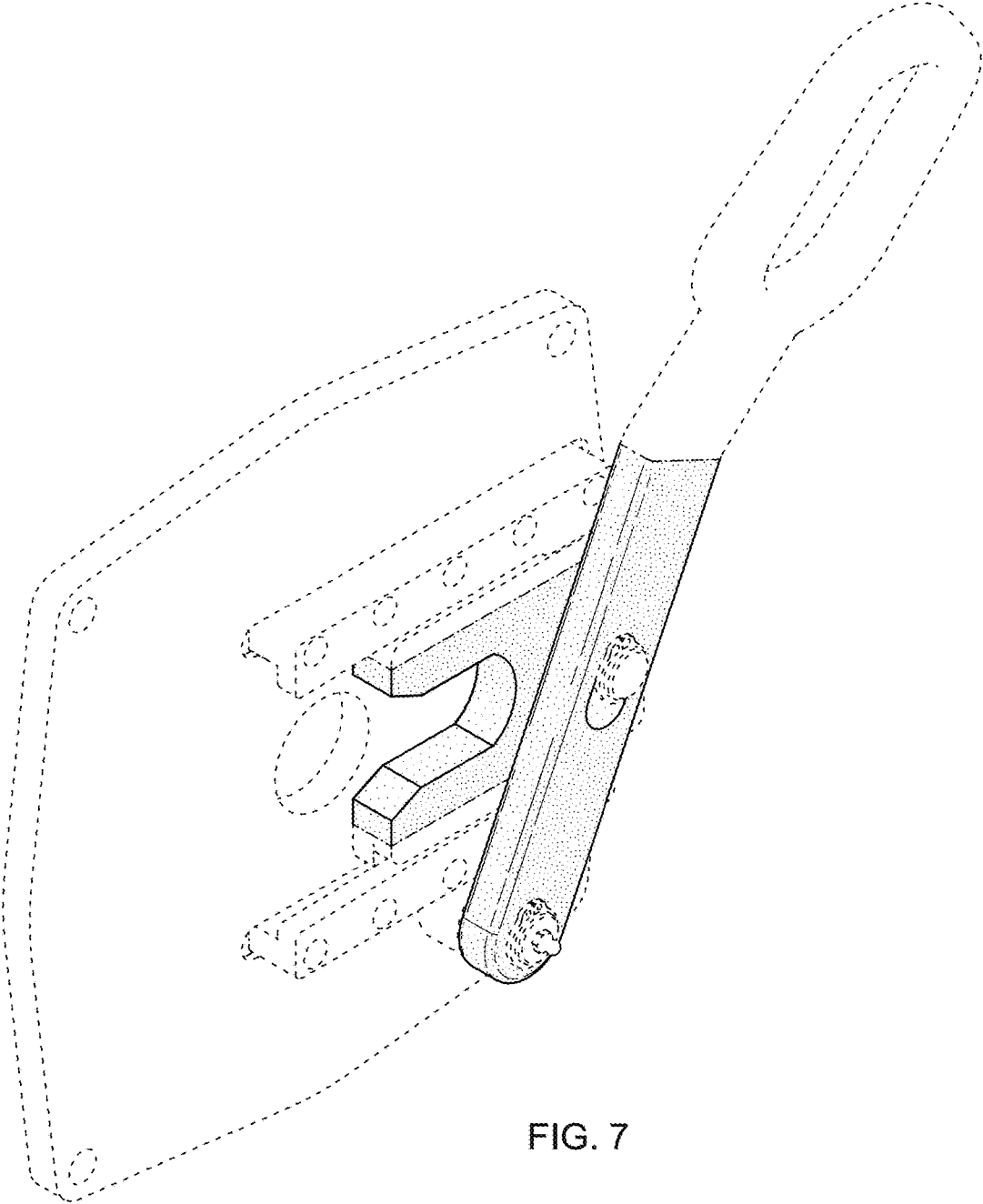


FIG. 7

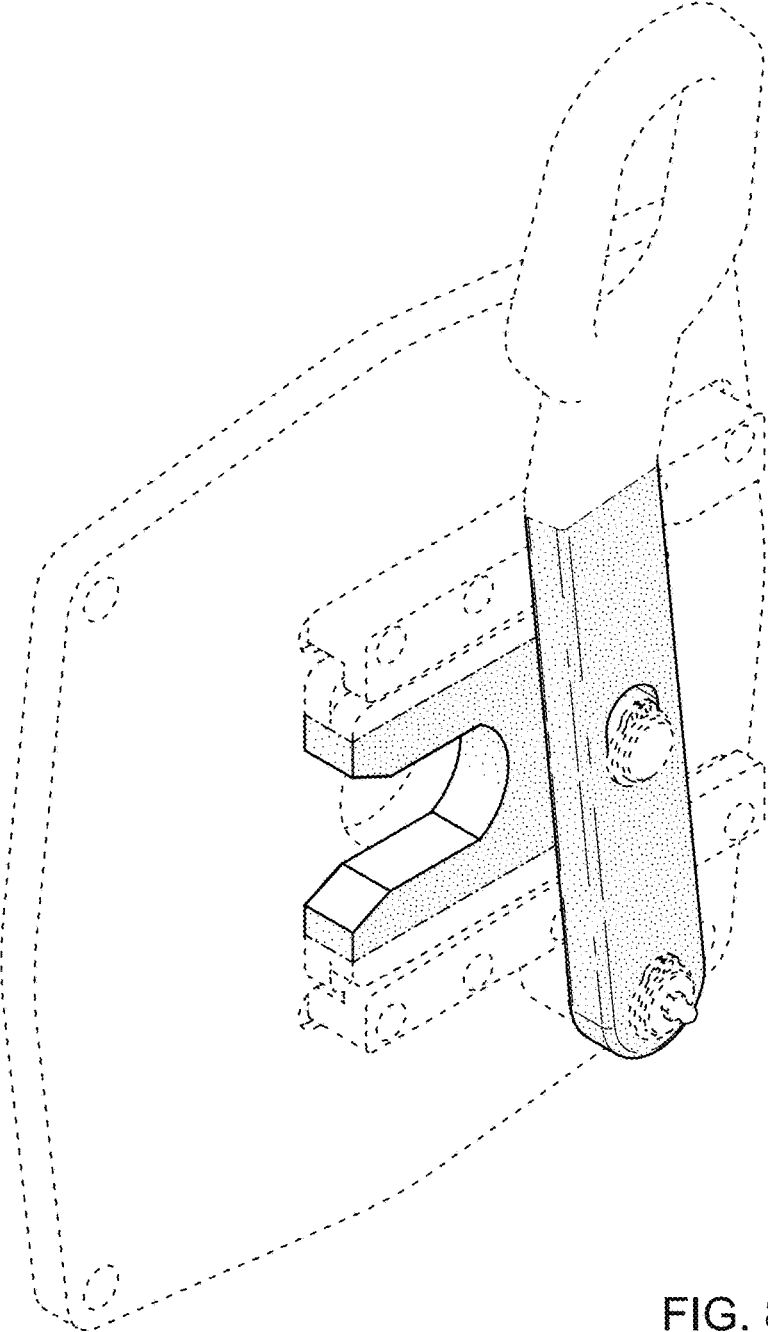


FIG. 8