



US00D79921S

(12) **United States Design Patent**  
**Herrick**

(10) **Patent No.:** **US D799,921 S**

(45) **Date of Patent:** **\*\* Oct. 17, 2017**

- (54) **COLLAR WRENCH**
- (71) Applicant: **Rod Herrick**, Whitefish, MT (US)
- (72) Inventor: **Rod Herrick**, Whitefish, MT (US)
- (73) Assignee: **RODDIE, INC.**, Columbia Falls, MT (US)
- (\*\*) Term: **15 Years**
- (21) Appl. No.: **29/554,361**
- (22) Filed: **Feb. 11, 2016**
- (51) **LOC (10) Cl.** ..... **08-05**
- (52) **U.S. Cl.**  
USPC ..... **D8/21; D23/245**
- (58) **Field of Classification Search**  
USPC ..... D23/233-250; 137/625, 861, 15.8, 597,  
137/884, 1.21, 561 A, 885, 595, 596.12,  
137/605, 606, 637, 862; 123/184.56,  
123/184.53, 184.61, 337, 90.13, 184.21,  
123/184.47, 184.52; 74/519, 488, 491,  
74/40, 45, 469; D8/21  
CPC ..... F16K 27/0236; F16K 27/12; F16K 1/306  
See application file for complete search history.

- 5,553,975 A \* 9/1996 Elkins ..... F16L 3/11  
248/74.2
- 7,942,163 B2 \* 5/2011 Sauer ..... F16L 29/007  
137/614.03
- 8,365,377 B1 \* 2/2013 Basiliere ..... B25B 27/16  
269/143

\* cited by examiner

*Primary Examiner* — Randall Gholson

(74) *Attorney, Agent, or Firm* — Robin Kelson Consulting

(57) **CLAIM**

The ornamental design for a collar wrench, as shown and described.

**DESCRIPTION**

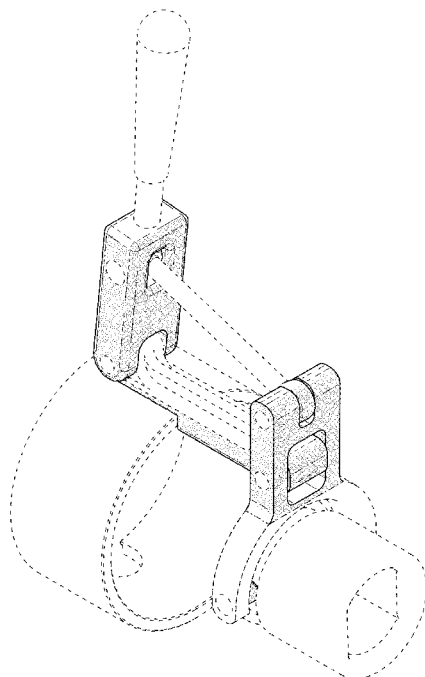
FIG. 1 is a front view of a collar wrench in accordance with the present design;  
 FIG. 2 is a back view thereof;  
 FIG. 3 is a right side view thereof, the left side view being a mirror image thereof;  
 FIG. 4 is a top view thereof;  
 FIG. 5 is a bottom view thereof;  
 FIG. 6 is a front perspective view thereof showing the collar wrench in a disengaged or resting position; and  
 FIG. 7 is a second front perspective view thereof showing the collar wrench in an engaged position.  
 FIG. 8 is a front perspective view of a second embodiment of the present design;  
 FIG. 9 is a front perspective view of a third embodiment of the present design; and,  
 FIG. 10 is a front perspective view of a fourth embodiment of the present design.  
 The broken lines shown in the drawings show unclaimed subject matter only and form no part of the claimed design.

(56) **References Cited**

**U.S. PATENT DOCUMENTS**

- 2,687,905 A \* 8/1954 Mayhelt ..... F16L 37/54  
D8/21
- 3,752,016 A \* 8/1973 Ballard ..... B25B 13/5016  
81/57.17
- 4,266,819 A \* 5/1981 Pemberton ..... B66F 9/18  
294/104

**1 Claim, 9 Drawing Sheets**



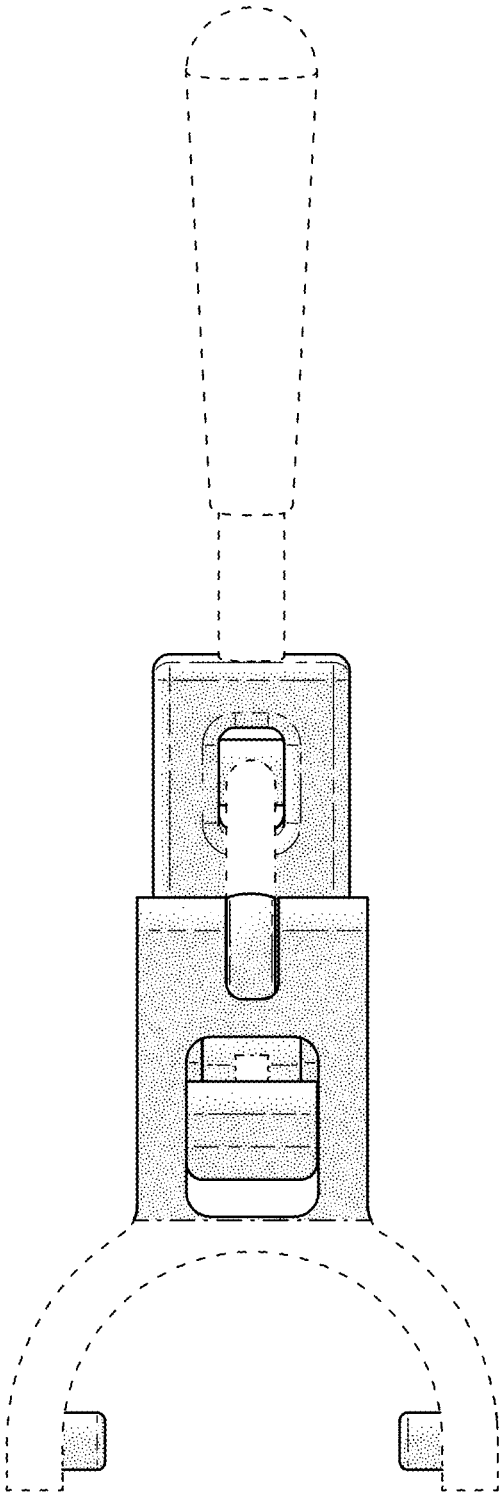


FIG. 1

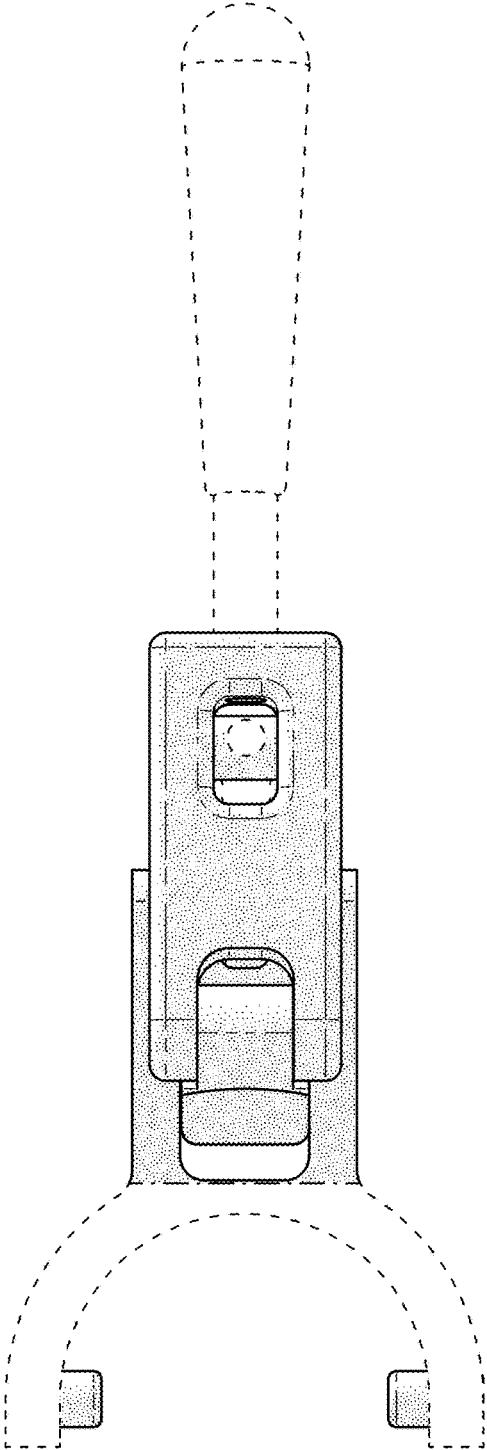


FIG. 2

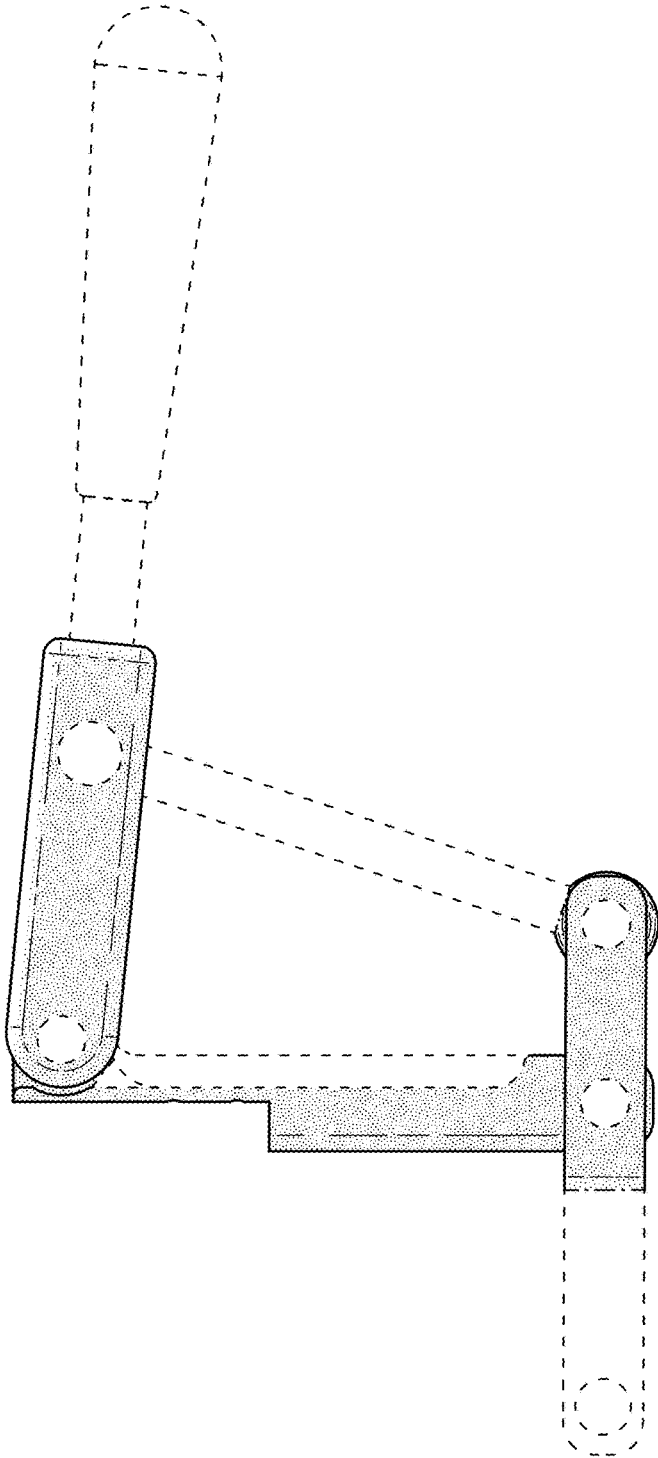


FIG. 3

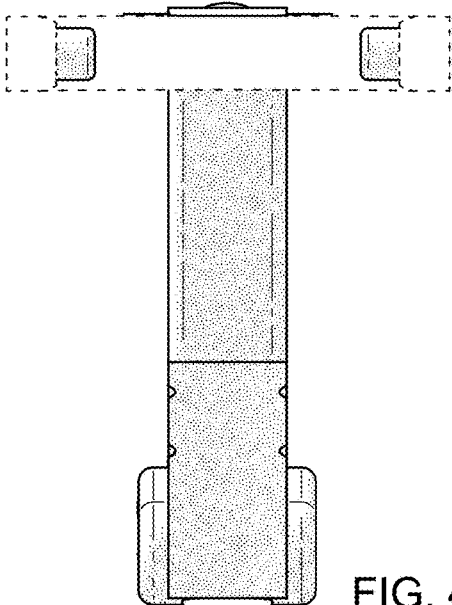


FIG. 4

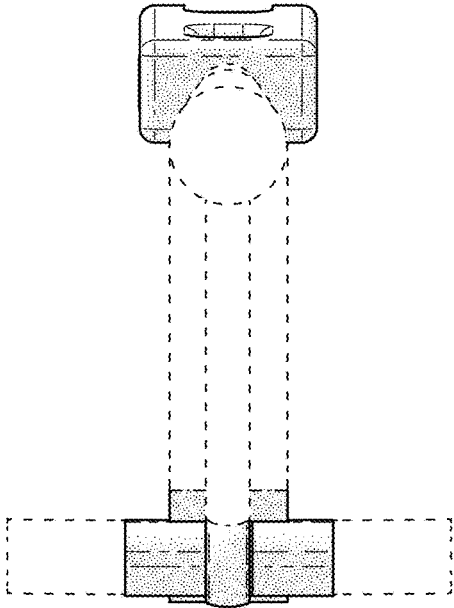


FIG. 5

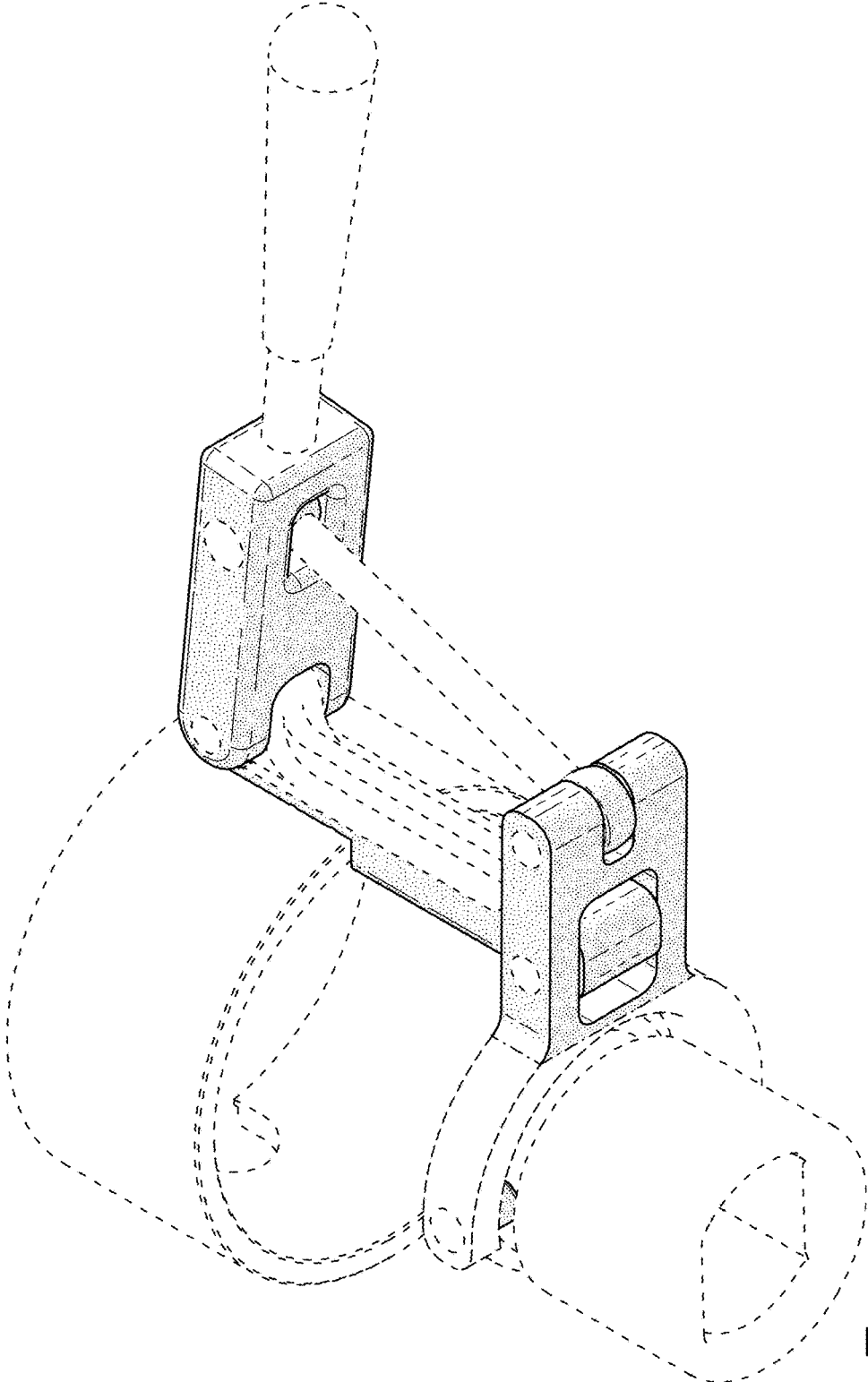


FIG. 6

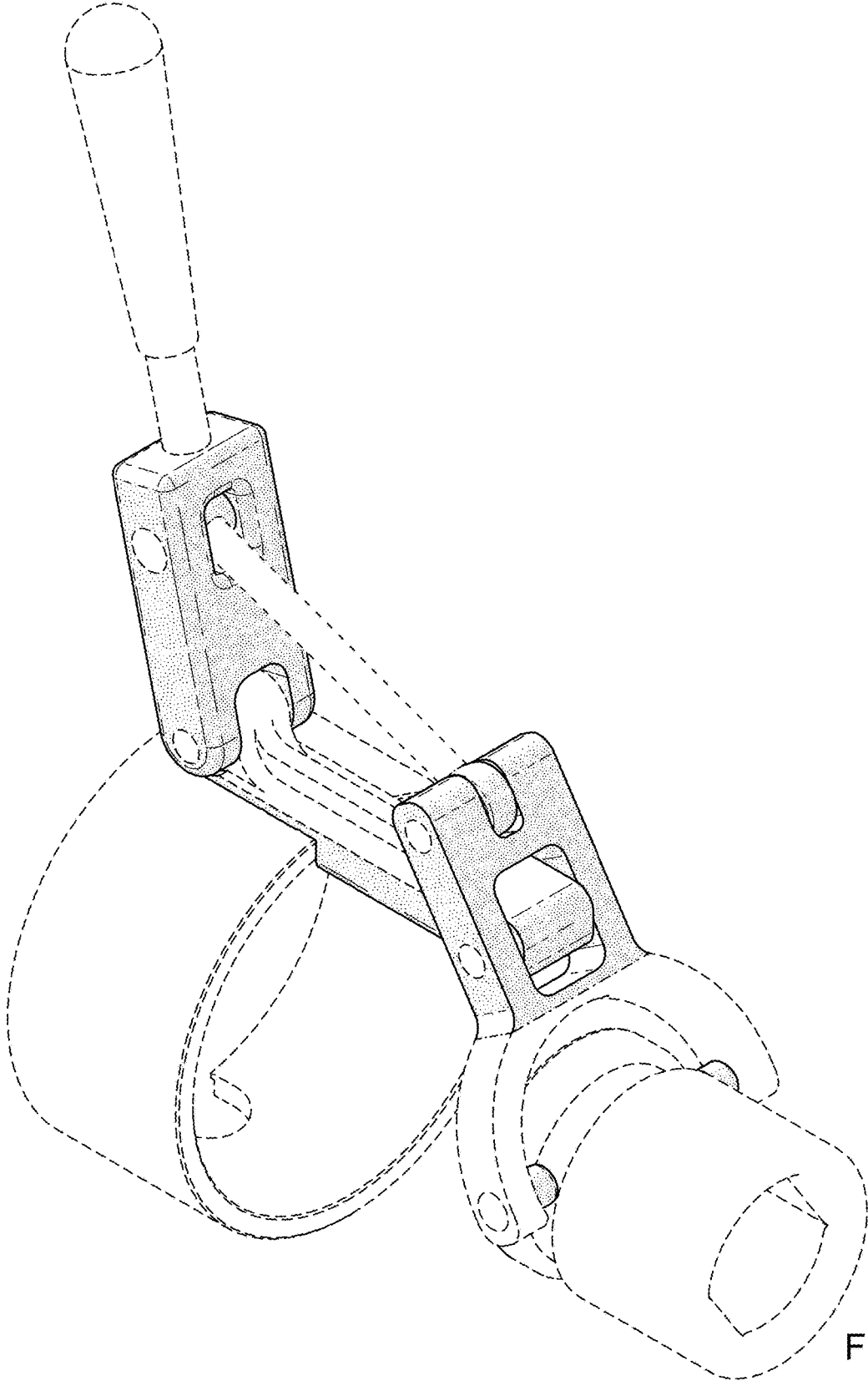


FIG. 7

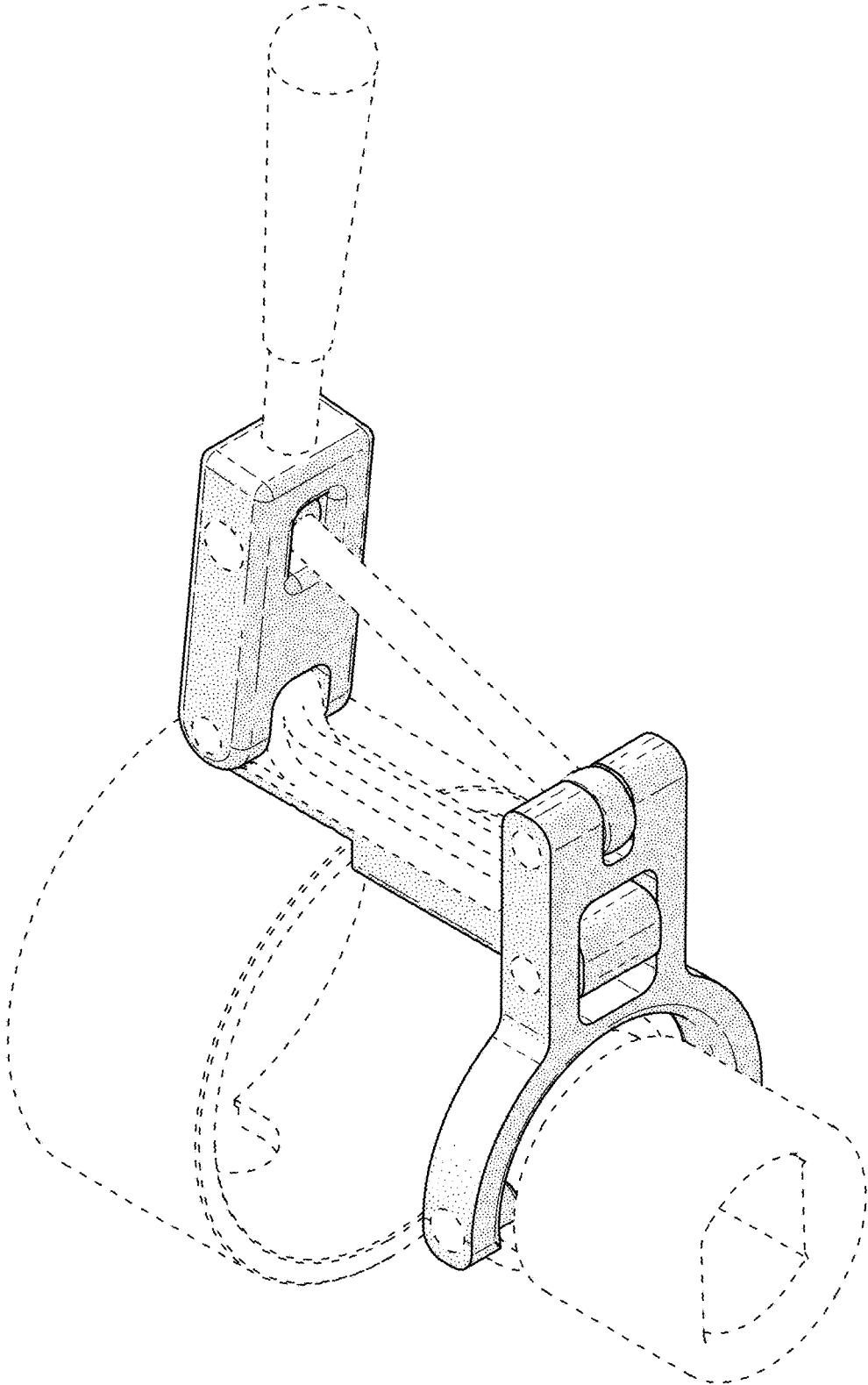


FIG. 8



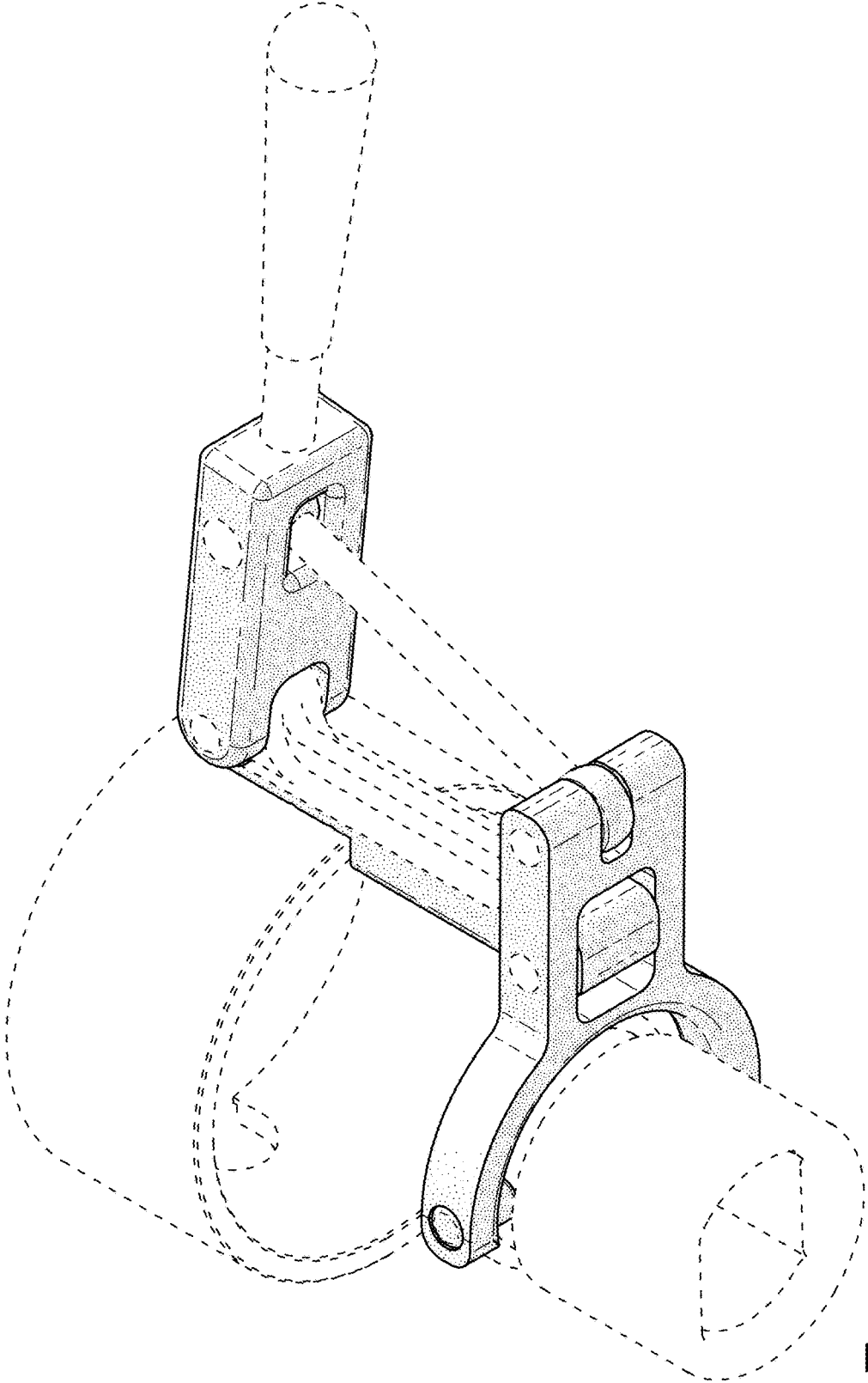


FIG. 9

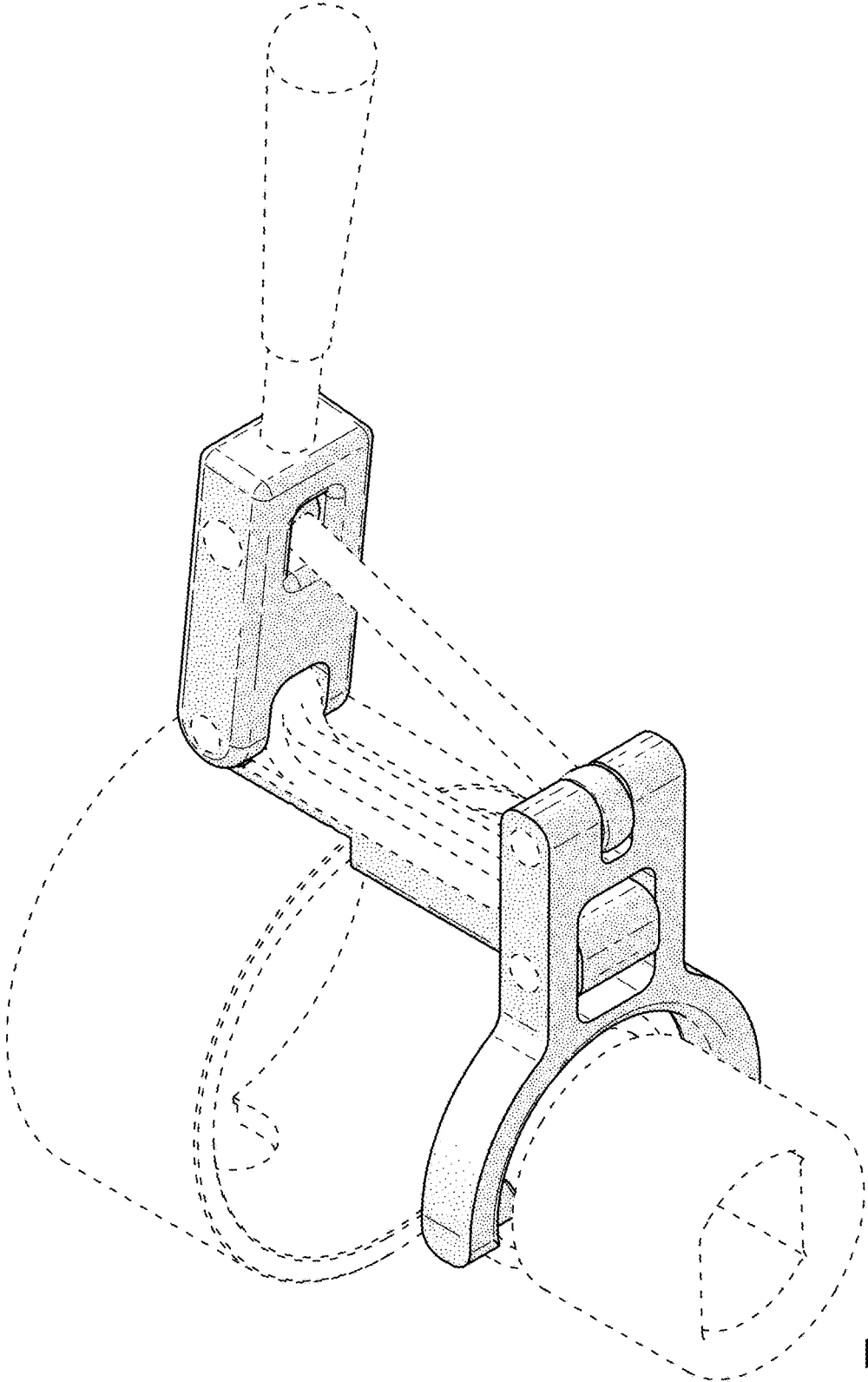


FIG. 10